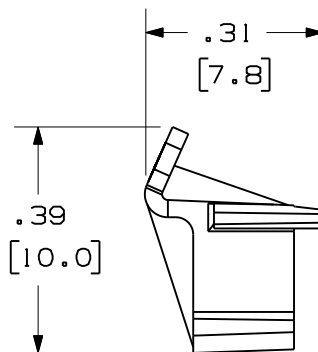
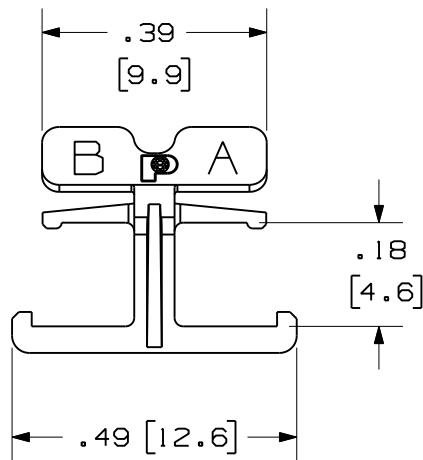
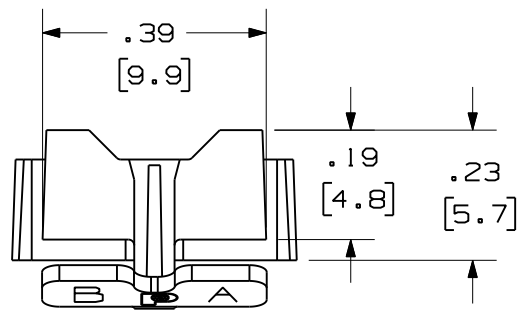


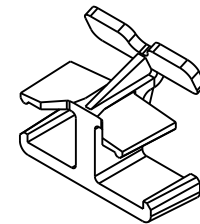
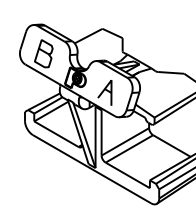
THIS COPY IS PROVIDED ON A RESTRICTED BASIS AND IS NOT TO BE USED IN ANY WAY DETRIMENTAL TO THE INTERESTS OF PANDUIT CORP.



PANDUIT PART NUMBER	WEIGHT
FLCCLIP-L	.022 lb/50 Pcs (9.81 g/50 Pcs.)

NOTES:

1. SEE CURRENT CATALOG FOR ADDITIONAL PART NUMBER SUFFIXES TO INDICATE COLOR AND OR PACKAGE QUANTITY.
2. SEE CATALOG FOR COMPLETE LIST OF PARTS APPLICABLE FOR USE WITH THIS PART.
3. MATERIAL: PLASTIC
4. ALL MATERIALS AND COMPONENTS USED MEET THE MATERIAL RESTRICTIONS OF RoHS, (EUROPEAN DIRECTIVE 2002/95/EC ON THE RESTRICTION OF HAZARDOUS SUBSTANCES) AS PROPOSED BY THE RoHS TECHNICAL ADAPTATION COMMITTEE.
5. DIMENSIONS IN BRACKETS ARE METRIC [mm].

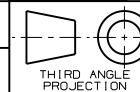


REV	DATE	BY	CHK	DESCRIPTION	ECN	R	CUST	SUP	OTH
R	11-09-07	MC		RELEASED TO PRODUCTION	01371-55				

LC CONNECTOR DUPLEX CLIP
CUSTOMER DRAWING



PANDUIT™
CORP.
TINLEY PARK, ILL 60477



ALL DIMENSIONS ARE GIVEN IN INCHES
UNLESS OTHERWISE SPECIFIED.
DIMENSIONAL TOLERANCES ARE:
(.X) ±.03 (0.8) ANGLES
(.XXX) ±.010 (0.3)

DRAWING FILENAME
M01371CL_DC_01A.prt

DRAWN BY MC

REVIEW DRAWING NUMBERS

PART NO. FLCCLIP-L

DATE 07-26-07

DRAWING NO. 01371-55

CHK'D

SIZE
A