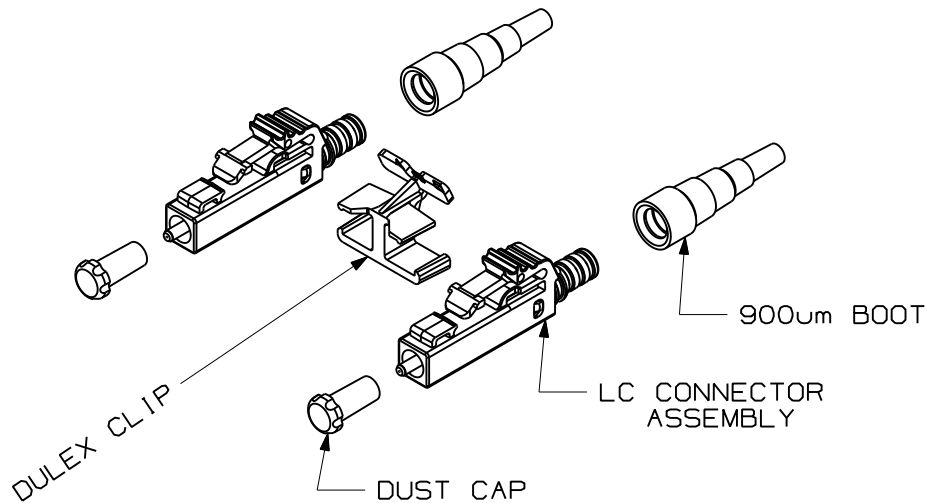


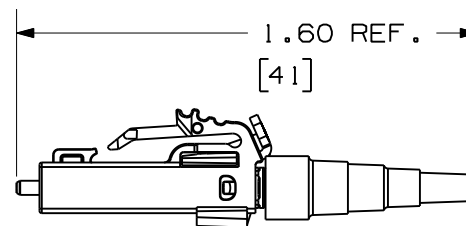
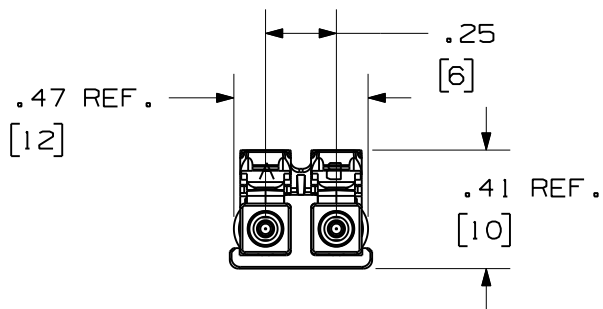
THIS COPY IS PROVIDED ON A RESTRICTED BASIS AND IS NOT TO BE USED IN ANY WAY DETRIMENTAL TO THE INTERESTS OF PANDUIT CORP.

PANDUIT PART NUMBER	TYPE	FOR USE WITH
FLCDS900BUY	SINGLEMODE	9/125 $\mu$ m FIBER
FLCDM900BLY	MULTIMODE	50/125 $\mu$ m FIBER
FLCDM900E1Y	MULTIMODE	62.5/125 $\mu$ m FIBER




NOTES:

1. SEE CATALOG FOR ADDITIONAL PART NUMBER SUFFIXES TO INDICATE COLOR AND/OR PACKAGE QUANTITY.
2. ACCEPTS 9/125 $\mu$ m SINGLEMODE, 50/125 $\mu$ m MULTIMODE OR 62.5/125 $\mu$ m MULTIMODE, 900 $\mu$ m BUFFERED GLASS OPTICAL FIBER.
3. FULLY COMPLIES WITH THE FIBER OPTIC CONNECTOR PERFORMANCE REQUIREMENTS AS SPECIFIED BY TIA/EIA-568-B.3.
4. MATERIAL:  
 BODY/HARDWARE: PLASTIC  
 BOOT: THERMOPLASTIC RUBBER  
 FERRULE: ZIRCONIA CERAMIC
5. DIMENSIONS IN BRACKETS ARE METRIC [ mm ].
6. WEIGHT PER 10 PIECES: .069 lb [ 31.3g ]



REV	DATE	BY	CHK	DESCRIPTION	ECN	R	CUST	SUP	OTH
2	09-01-11	MC	MTV	RELEASED TO PRODUCTION	01371-46	MTV	RWB		

FIBER OPTIC SINGLEMODE/MULTIMODE  
 DUPLEX LC CONNECTOR WITH 900 $\mu$ m BOOT  
 CUSTOMER DRAWING



**PANDUIT**<sup>TM</sup>  
CORP.  
TINLEY PARK, ILL 60477

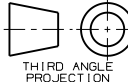
DRAWING FILENAME  
M01371AA\_DC-Y\_900/O8A

SCALE  
NONE

PART NO. FLCDS900BUY  
FLCDM900BLY/FLCDM900E1Y

DRAWING NO.  
01371-46

SIZE  
A



THIRD ANGLE  
PROJECTION

ALL DIMENSIONS ARE GIVEN IN INCHES  
UNLESS OTHERWISE SPECIFIED.

DIMENSIONAL TOLERANCES ARE:  
 (.X) ±.010 (0.3)  
 (.XX) ±.03 (0.8) ANGLES

DRAWN BY  
MC

DATE  
03-07-07

CHK'D  
PJI

REVIEW DRAWING NUMBERS