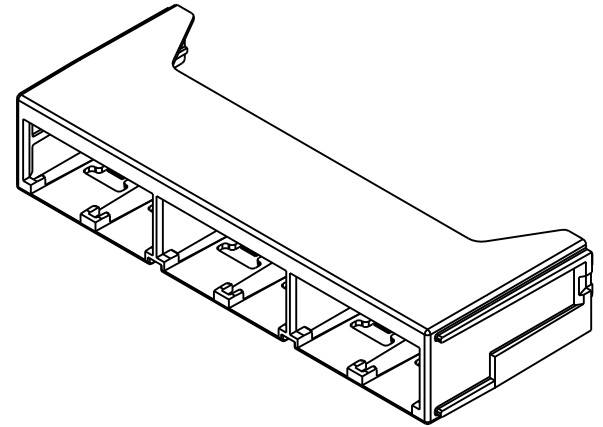
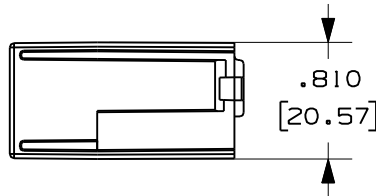
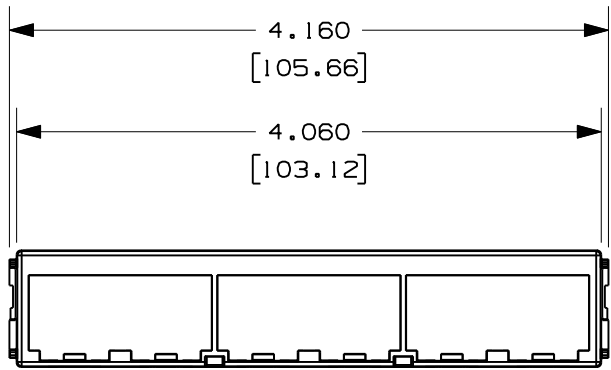
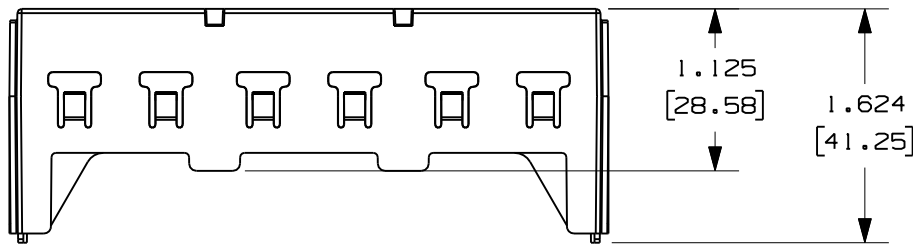


THIS COPY IS PROVIDED ON A RESTRICTED BASIS AND IS NOT TO BE USED IN ANY WAY DETRIMENTAL TO THE INTERESTS OF PANDUIT CORP.



- NOTES:
1. SEE CURRENT CATALOG FOR VARIOUS APPLICATIONS.
 2. THE ADAPTER IS DESIGNED FOR USE WITH QuickNET PATCH PANELS.
 3. DIMENSIONS IN BRACKETS ARE IN METRIC.


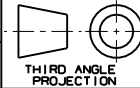


PANDUIT PART NUMBER	WEIGHT (APPOX.)
QPPABL	0.06 lbs (3.2 g)



MODEL FILENAME M02582BE_6_PORT_BEZEL_ADAPTER_08.PRT	SIZE A
DRAWING FILENAME M02582BE_DC36_08A.PRT	

QuickNET PATCH PANEL ADAPTER
CUSTOMER DRAWING

 PANDUIT ™ CORP. TINLEY PARK, ILL 60477	I.I. NUMBER
	PRODUCT SPEC/ PKG SPEC
 THIRD ANGLE PROJECTION	ASSY METHOD/ TEST METHOD
	SCALE .75 TO 1
DRAWN BY KSM	REVIEW DRAWING NUMBERS
DATE 1-03-07	PART NO. QPPABL
CHK'D WFMI	MAT'L BLACK ABS
	DRAWING NO. 02582-36

REV	DATE	BY	CHK	DESCRIPTION	ECN	R	CUST	SUP	OTH
I	4-18-07	MDJr	WFMI	A. UPDATED MODEL TO REVISION 08.	02582-36		TRW		
R	1-05-07	MDJr	WFMI	RELEASED FOR PRODUCTION	02582-36				