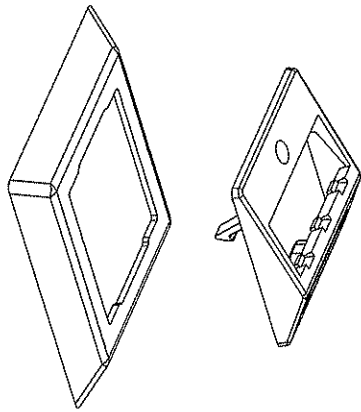
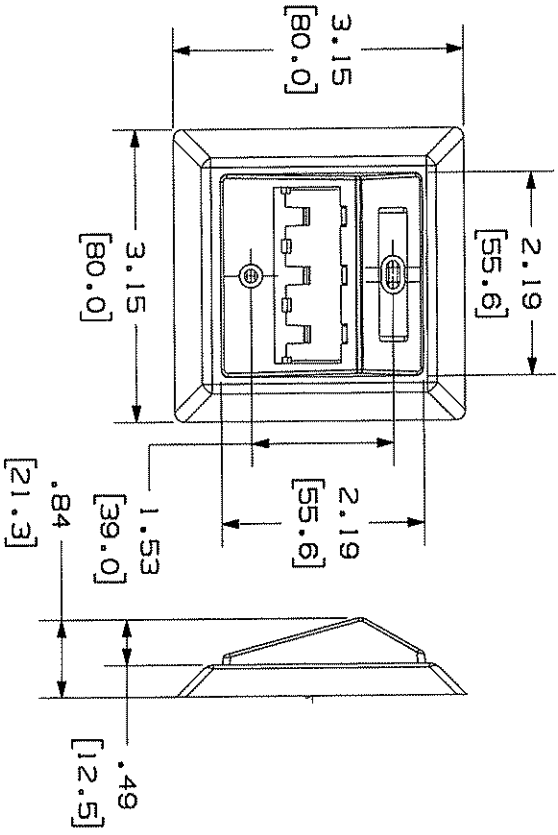


THIS COPY IS PROVIDED ON A RESTRICTED BASIS AND IS NOT TO BE USED IN ANY WAY DETRIMENTAL TO THE INTERESTS OF PANDUIT CORP.

PANDUIT P/N	WEIGHT
CFPE3**Y	1.00 LB/10 PCS. (453.6 g/10 PCS.)

- NOTES:
- SEE CURRENT CATALOG FOR ADDITIONAL PART NUMBER SUFFIXES TO INDICATE COLOR AND OR PACKAGE QUANTITY. SEE CATALOG FOR COMPLETE LIST OF PARTS APPLICABLE FOR USE WITH THIS PART.
 - DIMENSIONS IN () ARE IN METRIC.
 - KIT INCLUDES:
 - 1- METAL MOUNTING PLATE
 - 1- SCREW KIT
 - 1- LABEL/COVER
 - 1- BOX80 BEZEL
 - 3 POSITION SLOPED FACEPLATE



DRAWING FILENAME: M02479F0_DC_00A.PRT		SIZE: A									
MINI-COM 3 POSITION 80mm X 80mm SLOPED FACEPLATE KIT CUSTOMER DRAWING											
<p>TINLEY PARK, ILL. 60477</p> <p>ALL DIMENSIONS ARE GIVEN IN INCHES. DIMENSIONS IN PARENTHESES ARE METRIC DIMENSIONS. DIMENSIONAL TOLERANCES ARE: (1.XX) ± .01(1.31) ANGLES ± .03(1.81)</p>		<p>1:1 NUMBER N/A</p> <p>PRODUCT SPEC N/A</p> <p>WORK INSTRUCTION N/A</p> <p>SCALE NONE</p> <p>PART NO. CFPE3**Y</p>									
REV	DATE	BY	CHK	DESCRIPTION	ECN	R	CUST	SUP	OTH	DATE	DATE
R	7-27-06	JSP	MJD	RELEASED TO PRODUCTION	02479-147					7-27-06	7-27-06