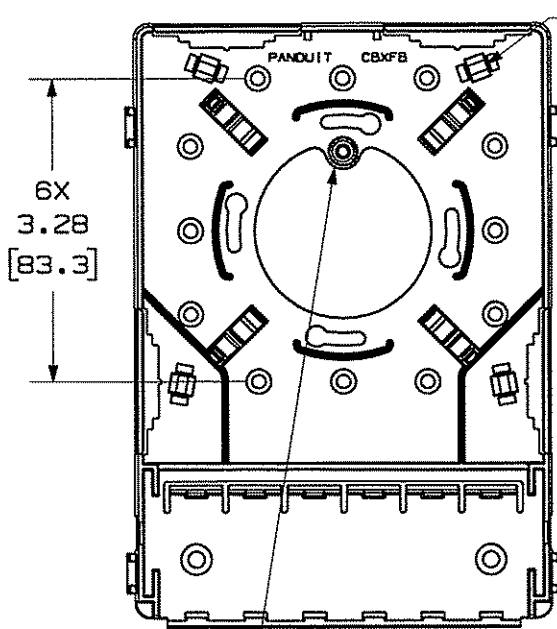


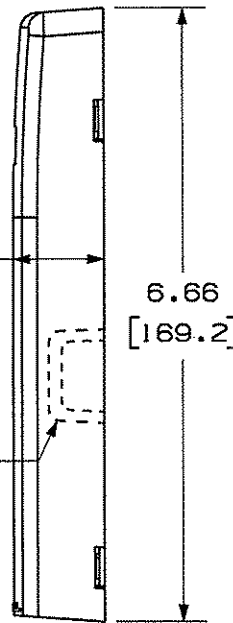
THIS COPY IS PROVIDED ON A RESTRICTED BASIS AND IS NOT TO BE USED IN ANY WAY DETRIMENTAL TO THE INTERESTS OF PANDUIT CORP.

PANDUIT P/N	WEIGHT
CBXF6**-AY	2.7 LB/10 PCS (1224.7 g/10 PCS)

COVER REMOVED FOR CLARITY

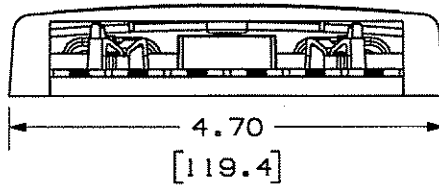


PAN-TY LOOP FOR CABLE HOLD-DOWN (4 PLACES)



BREAKOUT AREA (4 PLACES)

POST FOR TAMPER RESISTANT SCREW



NOTES:

- SEE CURRENT CATALOG FOR ADDITIONAL PART NUMBER SUFFIXES TO INDICATE COLOR AND OR PACKAGE QUANTITY.
- SEE CATALOG FOR A COMPLETE LIST OF PARTS APPLICABLE FOR USE WITH THIS PART.
- DIMENSIONS IN PARENTHESES ARE IN METRIC.
- ALSO INCLUDED WITH BOX:
  - 1- BOX BASE
  - 1- BOX COVER
  - 2- PLT1.51-C PAN-TY
  - 1- LABEL/ LABEL COVER
  - 2- MOUNTING SCREW
  - 1- COVER SCREW (USED TO SECURE COVER TO BASE)
  - 2- STRIP OF 1.00" X .75" FOAM TAPE FOR MOUNTING
  - 1- STRIP OF 3.00" X .75" FOAM TAPE FOR MOUNTING
- BREAKOUTS DESIGNED TO ACCEPT LD3/LDP3 OR LD5/LDP5 RACEWAY.
- BASE MATERIAL THICKNESS: .090I 2.29 I.

NO WARRANTY, EXPRESSED OR IMPLIED, IS MADE BY PANDUIT WITH RESPECT TO ADHESIVE BOND PERFORMANCE. AMONG OTHER THINGS, THE CONDITIONS UNDER WHICH THESE MOUNTS MAY BE APPLIED AND/OR THE SURFACE TO WHICH THEY MAY BE APPLIED ARE BEYOND PANDUIT'S CONTROL.

DRAWING FILENAME	MO2479ER_DC124_00A.PRT	SIZE	A
------------------	------------------------	------	---

MINI-COM 6 POSITION MULTI-MEDIA FIBER SURFACE MOUNT BOX CUSTOMER DRAWING

NETWORK SYSTEMS  
JAN 25  
ENGINEERING DEPT



**PANDUIT**™  
CORP.  
TINLEY PARK, ILL 60477



ALL DIMENSIONS ARE GIVEN IN INCHES, UNLESS OTHERWISE SPECIFIED.  
DIMENSIONAL TOLERANCES ARE:  
(.X) ± (.XXX) ± .010(.31)  
(.XX) ± .031(.81) ANGLES ±

I.I. NUMBER	N/A
PRODUCT SPEC	N/A
WORK INSTRUCTION	N/A
SCALE	NONE
PART NO.	CBXF6**-AY
DRAWING NO.	02479-124

REV	DATE	BY	CHK	DESCRIPTION	ECN	R	CUST	SUP	OTH
R	1-19-07	JsP	MD	RELEASED TO PRODUCTION	02479-124				

DRAWN BY	JsP
DATE	1-19-07
CHK'D	MD

MATERIAL:	ABS
-----------	-----