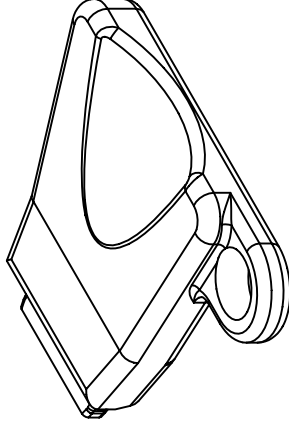
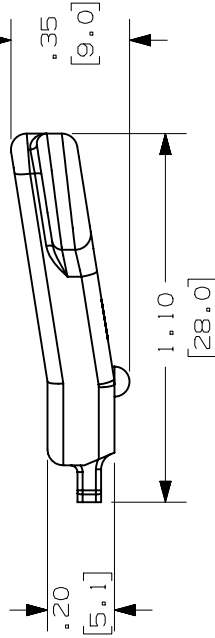
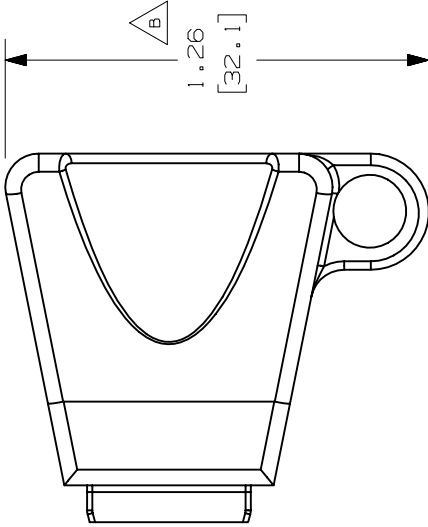


THIS COPY IS PROVIDED ON A RESTRICTED BASIS AND IS NOT TO BE USED IN ANY WAY DETRIMENTAL TO THE INTERESTS OF PANDUIT CORP.

| | |
|-------------|-----------------------------------|
| PANDUIT P/N | WEIGHT |
| CJT | .0066 LB/50 PCS (3.02g/50 PCS) |

- NOTES:
- SEE CURRENT CATALOG FOR ADDITIONAL PART NUMBER SUFFIXES TO INDICATE COLOR AND OR PACKAGE QUANTITY.
 - DIMENSIONS IN PARENTHESES ARE IN METRIC.



CAD FILENAME/LAYERS D35071CD_CJT_000

PANDUIT

CAT. 3 AND CAT. 5E JACK TERMINATION TOOL
CUSTOMER DRAWING (CJT)

UNLESS OTHERWISE SPECIFIED, DIMENSIONAL TOLERANCES ARE:

(.X) ± (.XXX) ±

(.XX) ± (.03(.8) ANGLES ±

UNLESS OTHERWISE SPECIFIED, ALL DIMENSIONS ARE GIVEN IN INCHES, THIRD ANGLE PROJECTION.

SCALE NONE

DRAWING NO. 35071-33

DWG SIZE A

DRAWN BY JBA

DATE 1-30-96

CHECKED BY CEF

MAT'L: NYLON

CEP

SUP

UPDATED TO REFLECT PART AS MOLDED
B. DIM WAS .97 [24.7] CAD MODEL

A. REVISED TITLE.

RELEASED TO PRODUCTION.

DESCRIPTION

2 6-27-00 LZ

1 11-11-99 JSP CEF

R 1-30-96 JBA CEF

REV DATE BY CHK

35071-33

35071-33

35071-33

ECN

CEP

CEP

CEP

CHK

CUST

SUP