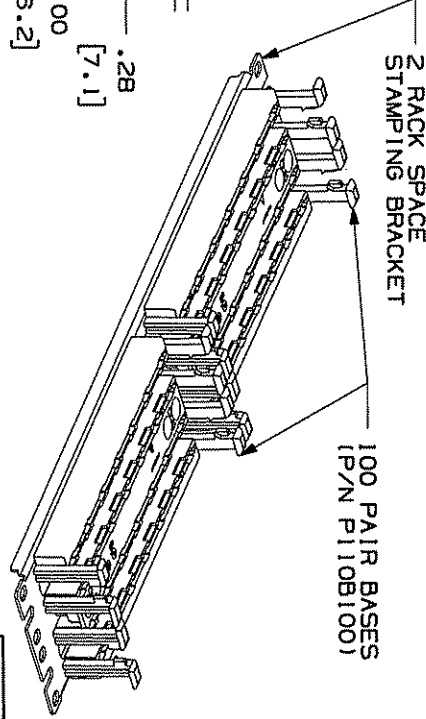
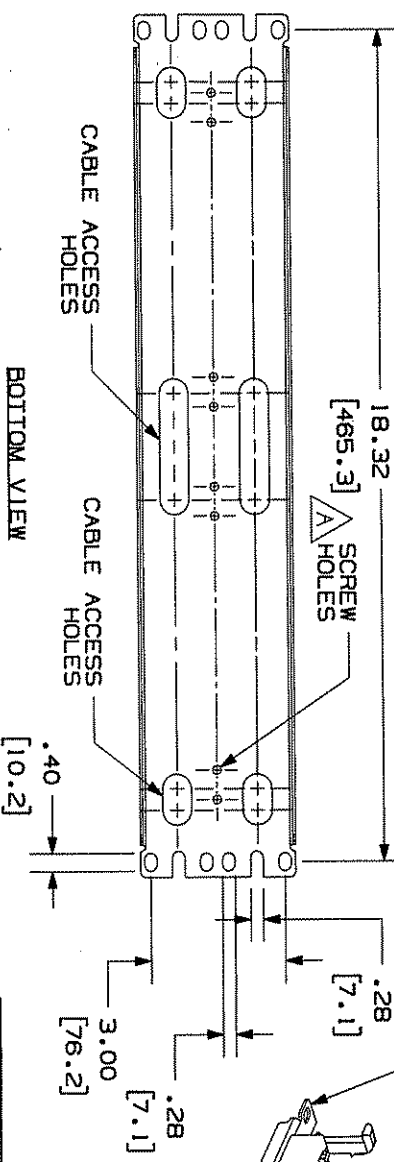
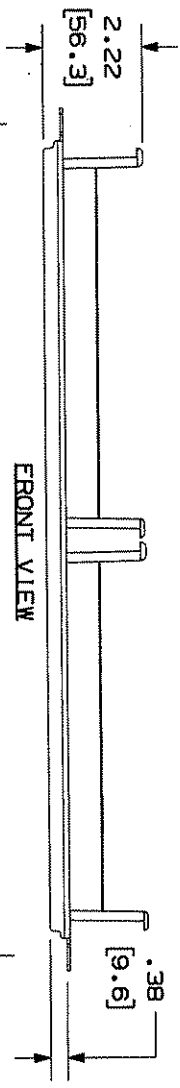
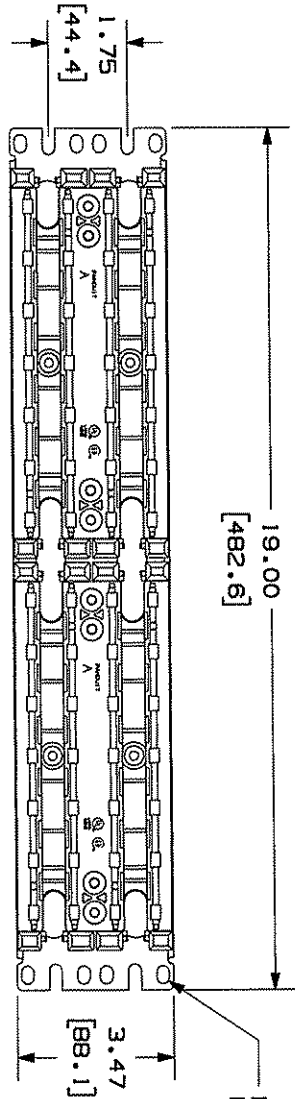


THIS COPY IS PROVIDED ON A RESTRICTED BASIS AND IS NOT TO BE USED IN ANY WAY DETRIMENTAL TO THE INTERESTS OF PANDUIT CORP.

PANDUIT PART NO.	WEIGHT
P110B100R2Y	2.01 LB/ea (923 g/ea)



- NOTES:
- SEE CURRENT CATALOG FOR ADDITIONAL PART NUMBER SUFFIXES TO INDICATE PACKAGE QUANTITY.
 - STAMPING ASSEMBLY IS DESIGNED FOR RACK MOUNT APPLICATIONS.
 - 110 BASES ARE ASSEMBLED TO BRACKETS WITH SUPPLIED SCREWS. (4) #12 MOUNTING SCREWS AND (4) METRIC M6x1x15MM SCREWS ARE ALSO PROVIDED. SOLD SEPARATELY.
 - CONNECTING BLOCKS, SOLD SEPARATELY.
 - DIMENSIONS IN PARENTHESES ARE IN METRIC.

DRAWING FILENAME: M02479NC_DC342_00A.PRT

TITLE: TWO RACK SPACE 110 STAMPING ASSEMBLY CUSTOMER DRAWING

PANDUIT CORP.™
 TITNEY PARK, ILL. 60477

ALL DIMENSIONS ARE GIVEN IN INCHES, UNLESS OTHERWISE SPECIFIED.
 DIMENSIONAL TOLERANCES ARE:
 1. XX1 ±
 1. XXX1 ±
 ANGLES ±

WORK INSTRUCTION: NONE

SCALE: NONE

REVIEW DRAWING NUMBERS: 110 BASES (ABS) BRACKET (C.R.S. 16 GAUGE)

DATE: 3-24-06
 DRAWN BY: NER
 THIRD ANGLE PROJECTION

REV	DATE	BY	CHK	DESCRIPTION	ECN	R	CUST	SUP	OTH
R	3-24-06	NER		RELEASED TO PRODUCTION	02479-342				

PART NO.	DRAWING NO.
P110B100R2Y	02479-342

SIZE: A