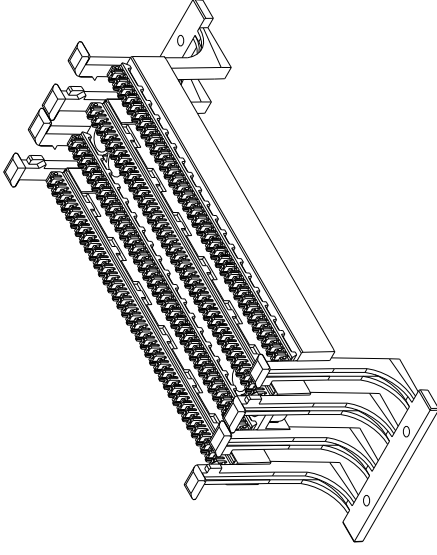
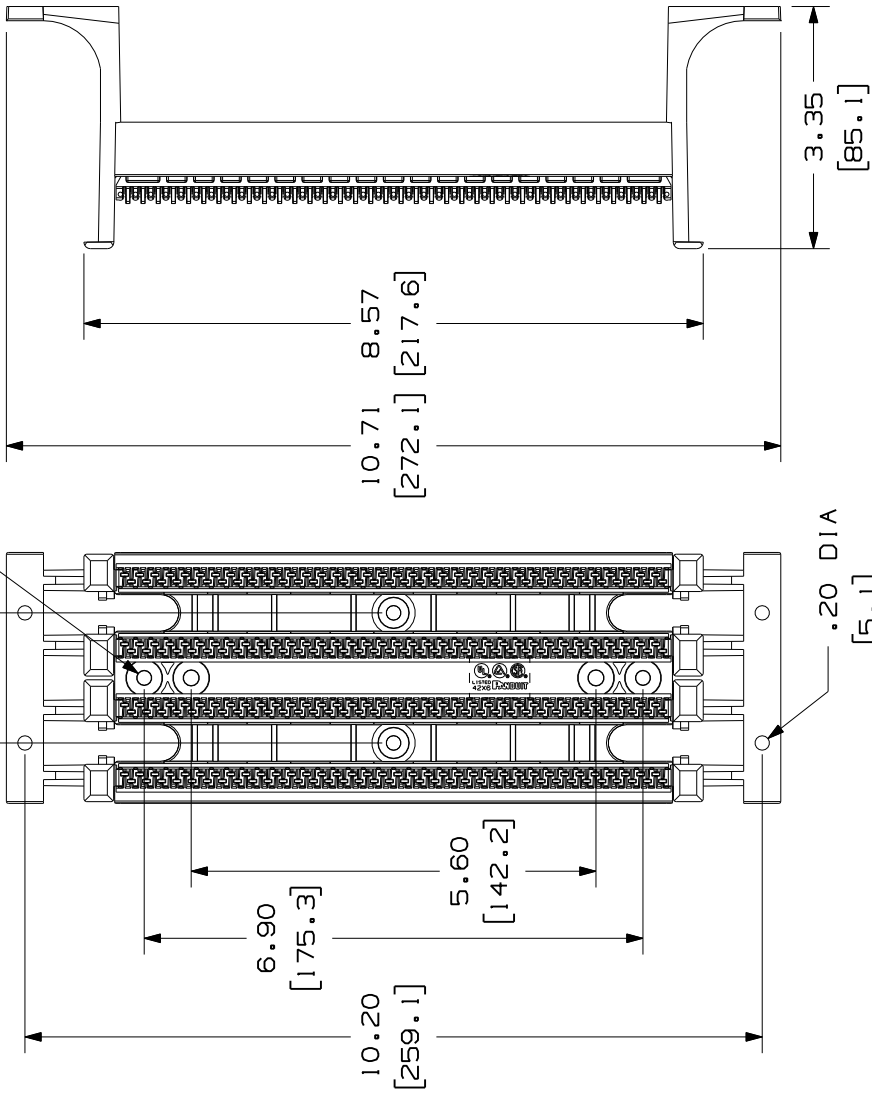


THIS COPY IS PROVIDED ON A RESTRICTED BASIS AND IS NOT TO BE USED IN ANY WAY DETRIMENTAL TO THE INTERESTS OF PANDUIT CORP.

PANDUIT P/N	WEIGHT
GPBW144-X	.44 LB/EACH (200 g/EACH)

- NOTES:
- SEE CURRENT CATALOG FOR ADDITIONAL PART NUMBER SUFFIXES TO INDICATE COLOR AND OR PACKAGE QUANTITY.
 - SEE CATALOG FOR COMPLETE LIST OF PARTS APPLICABLE FOR USE WITH THIS PART.
 - DIMENSIONS IN PARENTHESES ARE IN METRIC.
 - MATERIAL:
BASE - POLYCARBONATE
WIRE STRIP - POLYCARBONATE
 - INSTALLATION REQUIRES SCREWS.



CAD FILENAME/LAYERS

M00340BX_DC_00A.PRT

PANDUIT
CORP. TINLEY PARK, ILL INOIS
GIGA-PUNCH HIGH DENSITY BASE
144 PAIR WITH LEGS (GPBW144-X)
CUSTOMER DRAWING

UNLESS OTHERWISE SPECIFIED,
DIMENSIONAL TOLERANCES ARE:
(.X) ± .03(.8) ANGLES ±
(.XXX) ± .010(.3)
IN INCHES, THIRD ANGLE PROJECTION.

SCALE: NONE

DRAWING NO. 00340-33

SIZE A

UNLESS OTHERWISE SPECIFIED, DIMENSIONAL TOLERANCES ARE: (.X) ± .03(.8) ANGLES ± (.XXX) ± .010(.3) IN INCHES, THIRD ANGLE PROJECTION.	SCALE: NONE	DRAWING NO. 00340-33	SIZE A
DRAWN BY JBA	MAT'L:	DATE 4-12-99	CHECKED BY
RELEASED TO PRODUCTION.	ECN	CUST	SUP
DESCRIPTION	CHK	BY	DATE