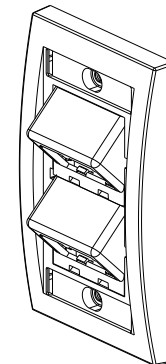
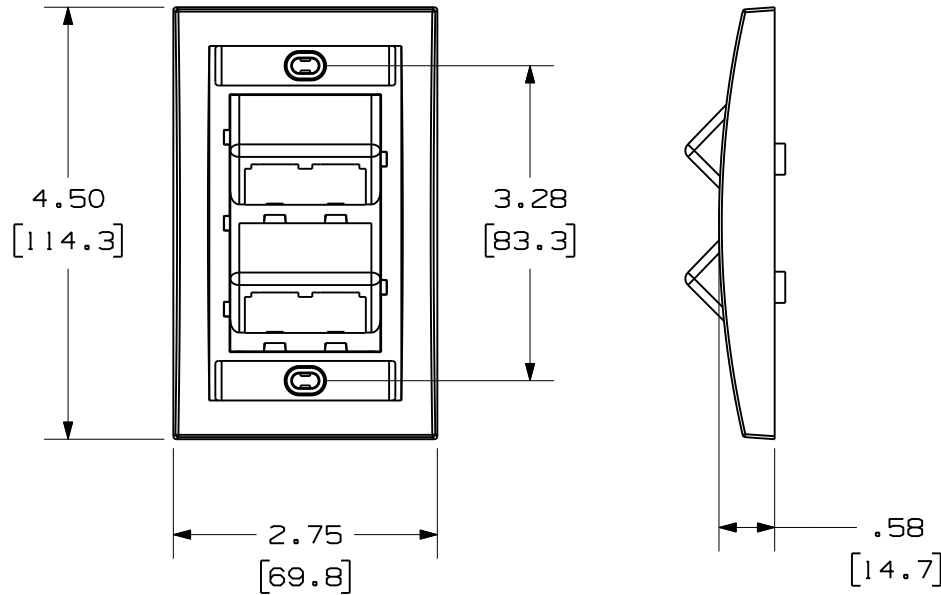


THIS COPY IS PROVIDED ON A RESTRICTED BASIS AND IS NOT TO BE USED IN ANY WAY DETRIMENTAL TO THE INTERESTS OF PANDUIT CORP.

PANDUIT P/N	WEIGHT
CFPSE4**Y	.91 LB/10 PCS (412.8 g/10 PCS.)

NOTES:

- SEE CURRENT CATALOG FOR ADDITIONAL PART NUMBER SUFFIXES TO INDICATE COLOR AND OR PACKAGE QUANTITY.
- SEE CATALOG FOR COMPLETE LIST OF PARTS APPLICABLE FOR USE WITH THIS PART.
- DIMENSIONS IN ( ) ARE METRIC.
- PART INCLUDES:
  - 1- CBE\*\* FACEPLATE FRAME
  - 2- #6-32 X 1" MOUNTING SCREW
  - 2- LABEL
  - 2- LABEL COVER
  - 2- CHS2\*\*-X INSERT



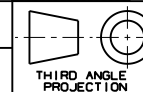
MODEL FILENAME	D35544BF/02	SIZE	A
DRAWING FILENAME	M02479FA_DC133/00B		

MINI-COM SLOPED EXECUTIVE SERIES  
FACEPLATE KIT CUSTOMER DRAWING



**PANDUIT**™  
CORP.  
TINLEY PARK, ILL 60477

I.I. NUMBER	N/A
PRODUCT SPEC	N/A
WORK INSTRUCTION	N/A
SCALE	NONE
PART NO.	CFPSE4**Y
DRAWING NO.	02479-133



ALL DIMENSIONS ARE GIVEN IN INCHES,  
UNLESS OTHERWISE SPECIFIED,  
DIMENSIONAL TOLERANCES ARE:  
(.X) ± (.XXX) ± .010(.3)  
(.XX) ± .03(.8) ANGLES ±

DRAWN BY	JsP
DATE	4-27-06
CHK'D	TCK

MATERIAL:	ABS
-----------	-----

REV	DATE	BY	CHK	DESCRIPTION	ECN	R	CUST	SUP	OTH
I	7-01-09	MDJr	TCK	A. CHS2**-X WAS CHS2S**.	02479-133		MMR		
R	4-27-06	JsP		RELEASED TO PRODUCTION	02479-133				