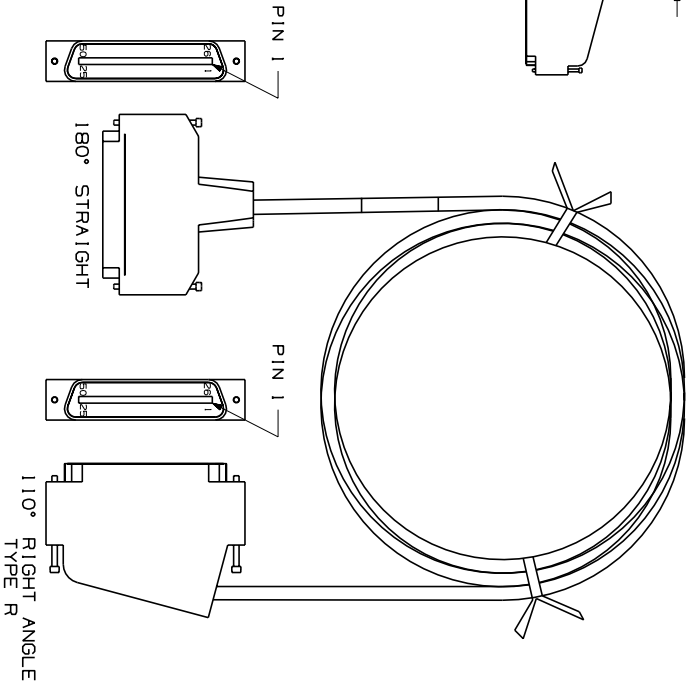
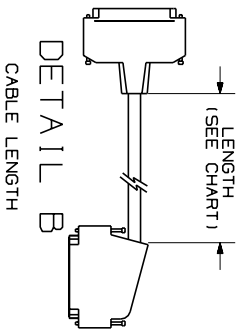


THIS COPY IS PROVIDED ON A RESTRICTED BASIS AND IS NOT TO BE USED IN ANY WAY DETRIMENTAL TO THE INTERESTS OF PANDUIT CORP.



PART NUMBER	LENGTH	WEIGHT
	+6" (152.41/-2" (50.8)	
UTPCH6SR25Y	8' (2438.4)	1.20 LB/EACH (545 G/EACH)
UTPCH10SR25Y	10' (3048)	1.44 LB/EACH (654 G/EACH)
UTPCH15SR25Y	15' (4572)	2.05 LB/EACH (932 G/EACH)
UTPCH20SR25Y	20' (6096)	2.66 LB/EACH (1209 G/EACH)
UTPCH6SR25Y	6' (1829)	.96 LB/EACH (435 G/EACH)

- NOTES:
- SEE CURRENT CATALOG TO INDICATE PACKAGE QUANTITY.
 - SEE CATALOG FOR COMPLETE LIST OF PARTS APPLICABLE FOR USE WITH THIS PART.
 - MATES WITH FEMALE RJ21 CONNECTOR AND 10/100 BASE T PATCH PANEL.
 - CATEGORY 5 AND POWER SUM RATED.
 - DIMENSIONS IN PARENTHESES ARE IN METRIC.

CAD FILENAME/LAYERS
M02479K1_DC270_00A.PRT

PANDUIT
CORP., TINLEY PARK, ILLINOIS

25 PAIR PATCH CORD ASSEMBLY ONE 110°
RIGHT RJ21 MALE CONNECTOR AND ONE
180° RJ21 CONNECTOR
(UTPCH(X)SR25Y) CUSTOMER DRAWING

UNLESS OTHERWISE SPECIFIED,
DIMENSIONAL TOLERANCES ARE:
(.X) ± .010(.3)
(.XXX) ± .010(.3)
(.XX) ± .031(.8) ANGLES ±

UNLESS OTHERWISE SPECIFIED,
ALL DIMENSIONS ARE GIVEN
IN INCHES, THIRD ANGLE PROJECTION.

DRAWN BY: NER
DATE: 3-20-06
CHECKED BY:

MAT'L: NONE
SCALE: NONE

CONNECTOR HSG:
UL94 V-0 THERMOPLASTIC
CABLE JACKET: PVC

REV	DATE	BY	CHK	DESCRIPTION	ECN	CHK	CUST	SUP	DATE	CHECKED BY	DRAWING NO.	DWG SIZE
R	3-20-06	NER		RELEASED TO PRODUCTION.	02479-270				3-20-06		02479-270	A