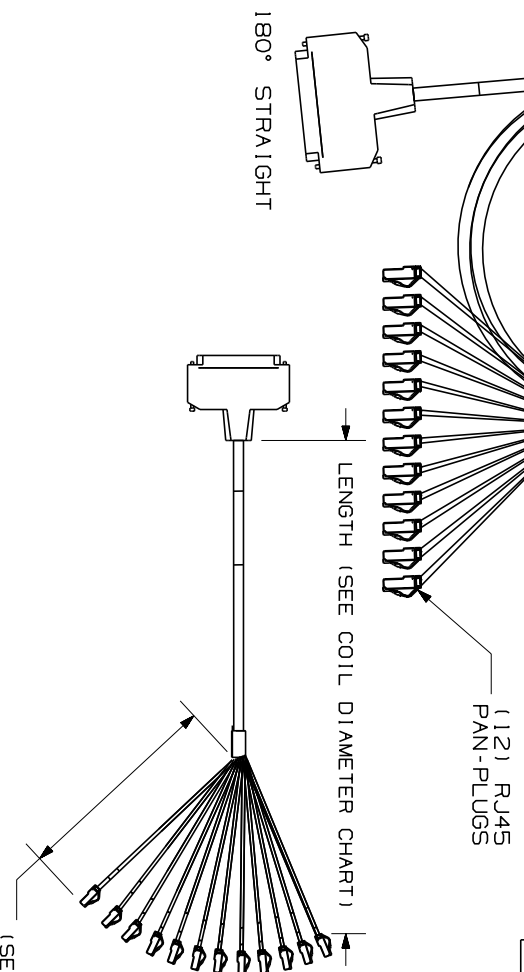


THIS COPY IS PROVIDED ON A RESTRICTED BASIS AND IS NOT TO BE USED IN ANY WAY DETRIMENTAL TO THE INTERESTS OF PANDUIT CORP.

PLUG LENGTH CHART	
PORT	PLUG CORD LENGTH + 1" / -.5"
1 - 12	23.5" (596.9)

COIL DIAMETER CHART		
PART NUMBER	LENGTH	WEIGHT
UTPCH812PP25Y	8' (2438.4)	13.0 LBS./10 PCS. (3809 G/10 PCS)
UTPCH1012PP25Y	10' (3048)	16.25 LBS./10 PCS. (7386 G/10 PCS)
UTPCH1512PP25Y	15' (4572)	24.38 LBS./10 PCS. (11,082 G/10 PCS)
UTPCH2012PP25Y	20' (6096)	31.62 LBS./10 PCS. (14,373 G/10 PCS)
UTPCH612PP25Y	6' (1829)	9.75 LBS./10 PCS. (4423 G/10 PCS)



- NOTES:
1. SEE CURRENT CATALOG FOR ADDITIONAL PART NUMBER SUFFIXES TO INDICATE COLOR AND OR PACKAGE QUANTITY.
  2. SEE CATALOG FOR COMPLETE LIST OF PARTS APPLICABLE FOR USE WITH THIS PART.
  3. DIMENSIONS IN PARENTHESES ARE IN METRIC.
  4. MATES WITH FEMALE RJ21 CONNECTOR AND 10/100 BASE T PATCH PANEL CATEGORY 5 AND POWER SUM RATED.

MOZ479K0\_DC276\_00A.PRT  
CAG FILENAME/LAYERS

**PANDUIT**  
CORP., TINLEY PARK, ILLINOIS

25 PAIR HYDRA PATCH CORD ASSY  
ONE 180° RJ21 MALE CONNECTOR TO  
TWELVE PAN-PLUGS (TTAILS ALL ONE LENGTH)  
(UTPCH1X12PP25Y) CUSTOMER DRAWING

UNLESS OTHERWISE SPECIFIED, DIMENSIONAL TOLERANCES ARE:  
(.XX) ± .010(.3)  
(.XXX) ± .010(.3)  
(.XXI) ± .031(.8) ANGLES ±

UNLESS OTHERWISE SPECIFIED, ALL DIMENSIONS ARE GIVEN IN INCHES, THIRD ANGLE PROJECTION.

REV	DATE	BY	CHK	DESCRIPTION	ECN	CHK	CUST	SUP	DATE	CONNECTOR HSG: UL94 V-0 THERMOPLASTIC CABLE JACKET: PVC	DRAWING NO. 02479 - 276	DWG SIZE A
R	3-20-06	NER		RELEASED TO PRODUCTION.	02479-276				3-20-06			
									Checked by			
									Drawn by			
									MAT'L:			
									SCALE	NONE		