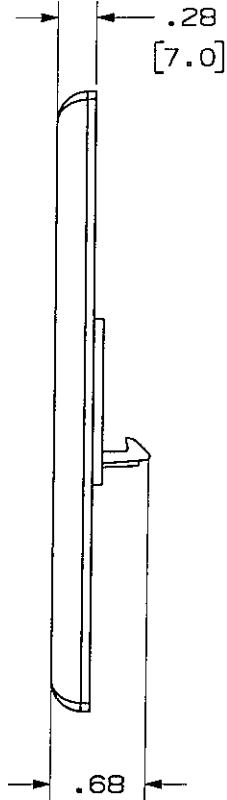
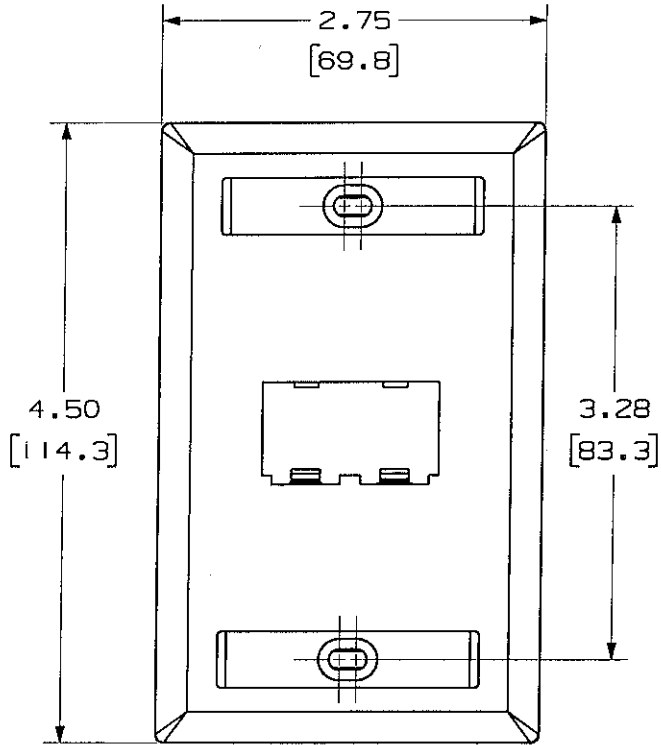


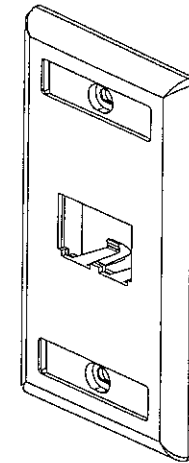
THIS COPY IS PROVIDED ON A RESTRICTED BASIS AND IS NOT TO BE USED IN ANY WAY DETRIMENTAL TO THE INTERESTS OF PANDUIT CORP.



| PANDUIT P/N | WEIGHT |
|-------------|-------------------------------------|
| CFPL2**Y | .60 LB/10 PCS. (273.9 G/10 PCS.) |

NOTES:

- SEE CURRENT CATALOG FOR ADDITIONAL PART NUMBER SUFFIXES TO INDICATE COLOR AND OR PACKAGE QUANTITY.
- SEE CATALOG FOR COMPLETE LIST OF PARTS APPLICABLE FOR USE WITH THIS PART.
- PART INCLUDES:
 - 1- FACEPLATE
 - 2- MOUNTING SCREW
 - 2- LABEL
 - 2- LABEL COVER
- DIMENSIONS IN [] ARE IN METRIC.



NETWORK SYSTEMS
MAY 25 2006
ENGINEERING DEPT

| | | | |
|------------------|---------------------------|------|---|
| MODEL FILENAME | M00734BF_2POS_VERT_00.PRT | SIZE | A |
| DRAWING FILENAME | M02479EC_DC109_00A.PRT | | |

MINI-COM 2 POSITION VERTICAL
FACEPLATE WITH LABEL
CUSTOMER DRAWING

| | | |
|---|------------------|--------------------------|
| <p>PANDUIT™ CORP. TINLEY PARK, ILL 60477</p> <p>ALL DIMENSIONS ARE GIVEN IN INCHES, UNLESS OTHERWISE SPECIFIED. DIMENSIONAL TOLERANCES ARE: (.X) ± (.XXX) ± .010(.3) (.XX) ± .031(.8) ANGLES ±</p> <p>THIRD ANGLE PROJECTION</p> | I.I. NUMBER | N/A |
| | PRODUCT SPEC | N/A |
| | WORK INSTRUCTION | N/A |
| | SCALE | NONE |
| DRAWN BY JsP | MATERIAL: | PART NO. CFPL2**Y |
| DATE 4-26-06 | ABS | DRAWING NO. 02479-109 |

| REV | DATE | BY | CHK | DESCRIPTION | ECN | R | CUST | SUP | OTH |
|-----|---------|-----|-----|------------------------|-----------|---|------|-----|-----|
| R | 4-26-06 | JsP | | RELEASED TO PRODUCTION | 02479-109 | | | | |