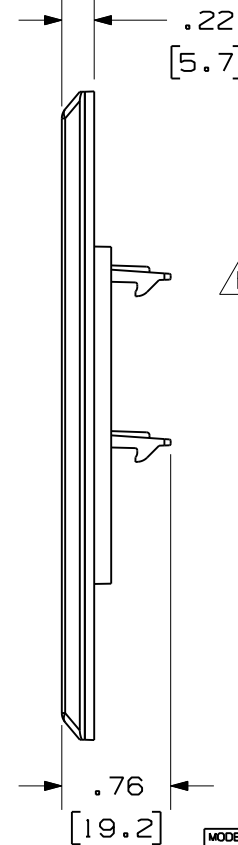
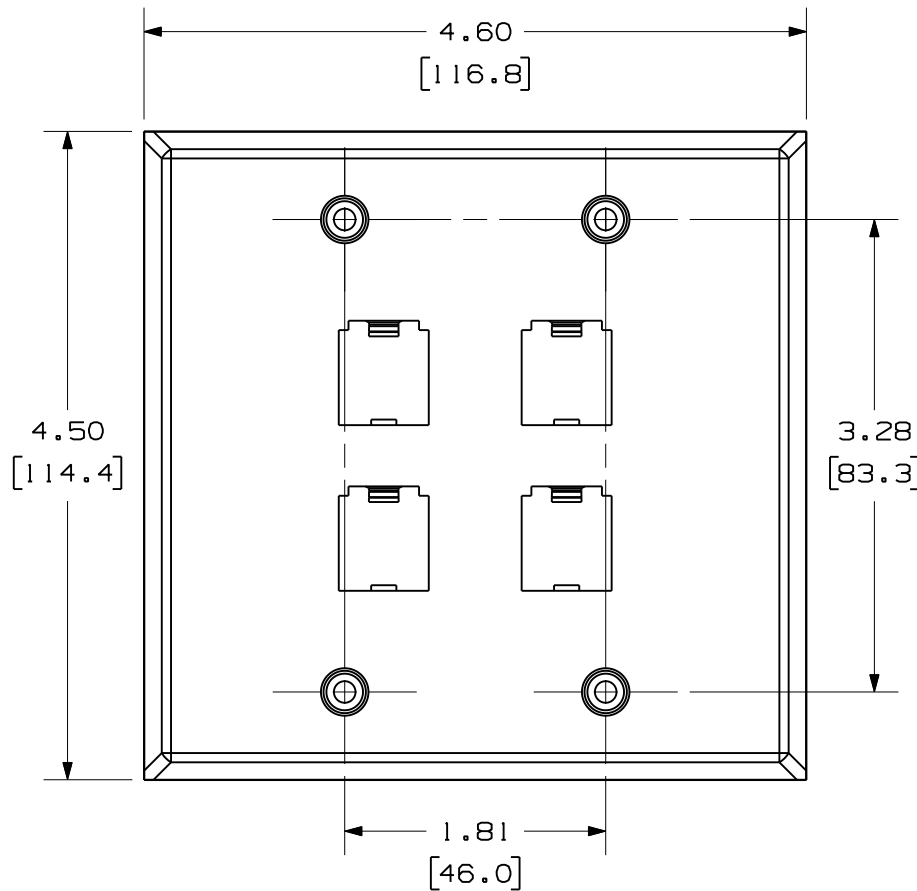


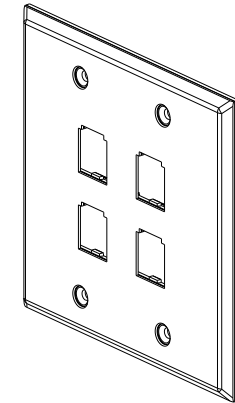
THIS COPY IS PROVIDED ON A RESTRICTED BASIS AND IS NOT TO BE USED IN ANY WAY DETRIMENTAL TO THE INTERESTS OF PANDUIT CORP.

PANDUIT P/N	WEIGHT
CFP4S-2GY	2.58 LB/10 PCS (1172.3 g/10 PCS)



NOTES:

- SEE CURRENT CATALOG FOR ADDITIONAL PART NUMBER SUFFIXES TO INDICATE COLOR AND OR PACKAGE QUANTITY.
- SEE CATALOG FOR COMPLETE LIST OF PARTS APPLICABLE FOR USE WITH THIS PART.
- DIMENSIONS IN PARENTHESES ARE IN METRIC.
- PART INCLUDES:  
1- FACEPLATE  
4- #6-32 X 1" MOUNTING SCREW

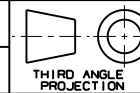


MODEL FILENAME	MO0840AA/01	SIZE	A
DRAWING FILENAME	M02479FE_DC137/01B		

MINI-COM 4 POSITION DOUBLE GANG  
STAINLESS STEEL FACEPLATE  
CUSTOMER DRAWING

**PANDUIT**<sup>®</sup>  
TINLEY PARK, IL 60487

I.I. NUMBER	N/A
PRODUCT SPEC/ PKG SPEC	N/A
ASSY METHOD/ TEST METHOD	N/A
SCALE	NONE



ALL DIMENSIONS ARE GIVEN IN INCHES, UNLESS OTHERWISE SPECIFIED.  
DIMENSIONAL TOLERANCES ARE:  
(.X) ±.03 (.XXX) ±.005  
(.XX) ±.01 ANGLES ± 1°

DRAWN BY	JsP	REVIEW DRAWING NUMBERS	PART NO.	CFP4S-2GY	
DATE	3-18-06	MAT'L	FACEPLATE- 304 STAINLESS STEEL	DRAWING NO.	02479-137
CHK'D	MJD	BACKING- ABS			

REV	DATE	BY	CHK	DESCRIPTION	ECN	R	CUST	SUP	OTH
2	1-28-11	BJN		B. DELETED NOTE 4	02479-137				
1	7-30-07	JsP	JCO	A. FACEPLATE MATERIAL WAS 430 S.S.	02479-137	JCO	JCO		
R	3-18-06	JsP	MJD	RELEASED TO PRODUCTION	02479-137				