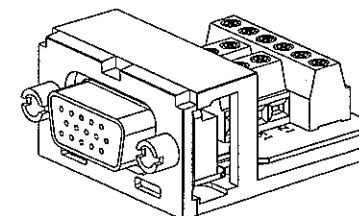
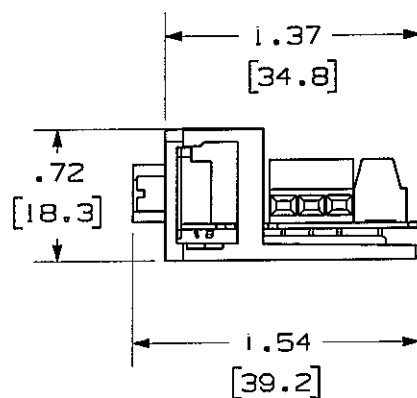
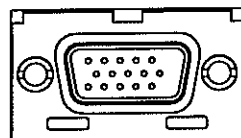
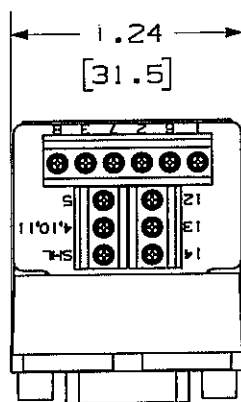


THIS COPY IS PROVIDED ON A RESTRICTED BASIS AND IS NOT TO BE USED IN ANY WAY DETRIMENTAL TO THE INTERESTS OF PANDUIT CORP.



PANDUIT P/N	WEIGHT
CMD15HD**Y	.41 LB/10 PCS (185.5 g/10 PCS)

NOTES:

- SEE CURRENT CATALOG FOR ADDITIONAL PART NUMBER SUFFIXES TO INDICATE COLOR AND OR PACKAGE QUANTITY.
- SEE CATALOG FOR COMPLETE LIST OF PARTS APPLICABLE FOR USE WITH THIS PART.
- DIMENSIONS IN PARENTHESES ARE IN METRIC.
- PART INCLUDES:
  - 1- DUAL MODULE BASE
  - 1- 15 PIN H.D. D-SUB CONNECTOR (ASSEMBLED TO MODULE BASE)

MODEL FILENAME	M01923AB_CMD15HD_04.PRT	SIZE	A
DRAWING FILENAME	M02479GZ_DC184_00A.PRT		
MINI-COM DUAL MODULE SPACE 15 PIN HIGH DENSITY D-SUB SCREW-TERMINATING MODULE CUSTOMER DRAWING			
PANDUIT <sup>TM</sup> CORP. TINLEY PARK, ILL 60477		I.T. NUMBER	N/A
THIRD ANGLE PROJECTION		PRODUCT SPEC	N/A
ALL DIMENSIONS ARE GIVEN IN INCHES, UNLESS OTHERWISE SPECIFIED. DIMENSIONAL TOLERANCES ARE: (.X) ± (.XXX) ± .0101.31 (.XX) ± .031.81 ANGLES ±		WORK INSTRUCTION	N/A
DRAWN BY JsP		SCALE	NONE
DATE 3-13-06		PART NO.	CMD15HD**Y
MATERIAL: BASE: ABS		DRAWING NO.	02479-184

NETWORK SYSTEMS  
MAY 25 2006  
ENGINEERING DEPT

REV	DATE	BY	CHK	DESCRIPTION	ECN	R	CUST	SUP	OTH
R	3-13-06	JsP	JCO	RELEASED TO PRODUCTION	02479-184	JCO	JCO		