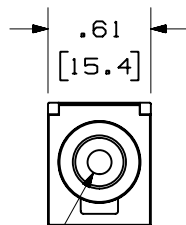
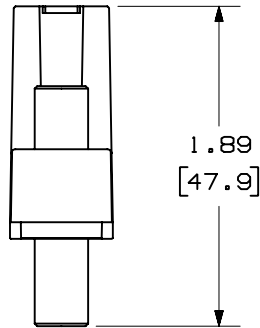
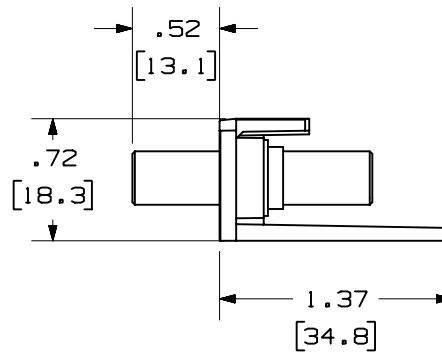


THIS COPY IS PROVIDED ON A RESTRICTED BASIS AND IS NOT TO BE USED IN ANY WAY DETRIMENTAL TO THE INTERESTS OF PANDUIT CORP.

PANDUIT P/N	WEIGHT
CM35MSC**	.08 LB/10 PCS (37.5 g/10 PCS)

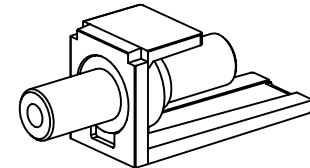


.14 DIA
[3.6]



NOTES:

- SEE CURRENT CATALOG FOR ADDITIONAL PART NUMBER SUFFIXES TO INDICATE COLOR AND OR PACKAGE QUANTITY.
- SEE CATALOG FOR COMPLETE LIST OF PARTS APPLICABLE FOR USE WITH THIS PART.
- DIMENSIONS IN PARENTHESES ARE IN METRIC.
- PART INCLUDES:
1- MODULE BASE
1- 3.5mm (1/8") HEAD PHONE JACK COUPLER (ASSEMBLED TO MODULE BASE)



MODEL FILENAME	MO2109AA_CM35MSC_00.PRT	SIZE	A
DRAWING FILENAME	MO2109AA_DC_00A.PRT		
MINI-COM 3.5mm (1/8") HEAD PHONE JACK COUPLER MODULE CUSTOMER DRAWING			
	PANDUIT ™ CORP. TINLEY PARK, ILL 60477	I.I. NUMBER	N/A
	THIRD ANGLE PROJECTION	PRODUCT SPEC	N/A
ALL DIMENSIONS ARE GIVEN IN INCHES, UNLESS OTHERWISE SPECIFIED. DIMENSIONAL TOLERANCES ARE: (.X) ± (.XXX) ± .010(.3) (.XX) ± .03(.8) ANGLES ±		WORK INSTRUCTION	N/A
DRAWN BY JsP		SCALE	NONE
DATE 1-12-05		MATERIAL:	PART NO. CM35MSC**
REV		MODULE: ABS CONNECTOR: ZINC PLATED STEEL	DRAWING NO. 02109-04
RELEASED TO PRODUCTION	02109-04		

REV	DATE	BY	CHK	DESCRIPTION	ECN	R	CUST	SUP	OTH
R	1-12-05	JsP		RELEASED TO PRODUCTION	02109-04				