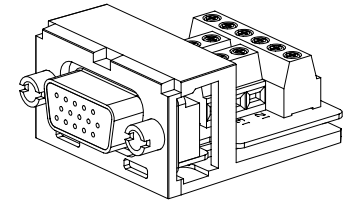
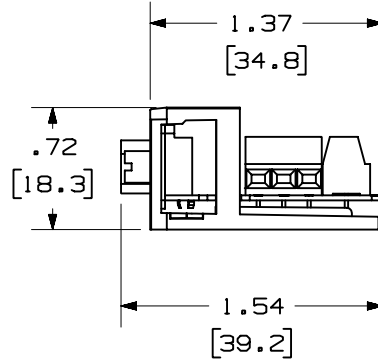
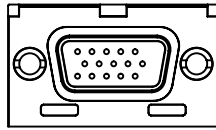
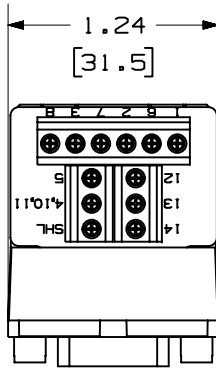



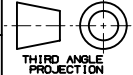
THIS COPY IS PROVIDED ON A RESTRICTED BASIS AND IS NOT TO BE USED IN ANY WAY DETRIMENTAL TO THE INTERESTS OF PANDUIT CORP.



PANDUIT P/N	WEIGHT
CMD15HD**	.41 LB/10 PCS (185.5 g/10 PCS)

NOTES:

- SEE CURRENT CATALOG FOR ADDITIONAL PART NUMBER SUFFIXES TO INDICATE COLOR AND OR PACKAGE QUANTITY.
- SEE CATALOG FOR COMPLETE LIST OF PARTS APPLICABLE FOR USE WITH THIS PART.
- DIMENSIONS IN PARENTHESES ARE IN METRIC.
- PART INCLUDES:
  - 1- DUAL MODULE BASE
  - 1- 15 PIN H.D. D-SUB CONNECTOR (ASSEMBLED TO MODULE BASE)
  - 2- MOUNTING SCREW

MODEL FILENAME M01923AB_CMD15HD_04.PRT		SIZE <b>A</b>
DRAWING FILENAME M01923AB_DC_04A.PRT		
DUAL MODULE SPACE MINI-COM 15 PIN HIGH DENSITY D-SUB FIELD-TERMINATING MODULE CUSTOMER DRAWING		
 <b>PANDUIT</b> ™ CORP. TINLEY PARK, ILL 60477		I.I. NUMBER N/A
		PRODUCT SPEC N/A
 THIRD ANGLE PROJECTION ALL DIMENSIONS ARE GIVEN IN INCHES, UNLESS OTHERWISE SPECIFIED. DIMENSIONAL TOLERANCES ARE: (.X) ± (.XXX) ± .010(.3) (.XX) ± .03(.8) ANGLES ±		WORK INSTRUCTION N/A
		SCALE NONE
DRAWN BY JsP	MATERIAL:  BASE: ABS	PART NO. CMD15HD**
DATE 1-17-05		DRAWING NO. 01923-04
CHK'D		

REV	DATE	BY	CHK	DESCRIPTION	ECN	R	CUST	SUP	OTH
R	1-17-05	JsP		RELEASED TO PRODUCTION	01923-04				