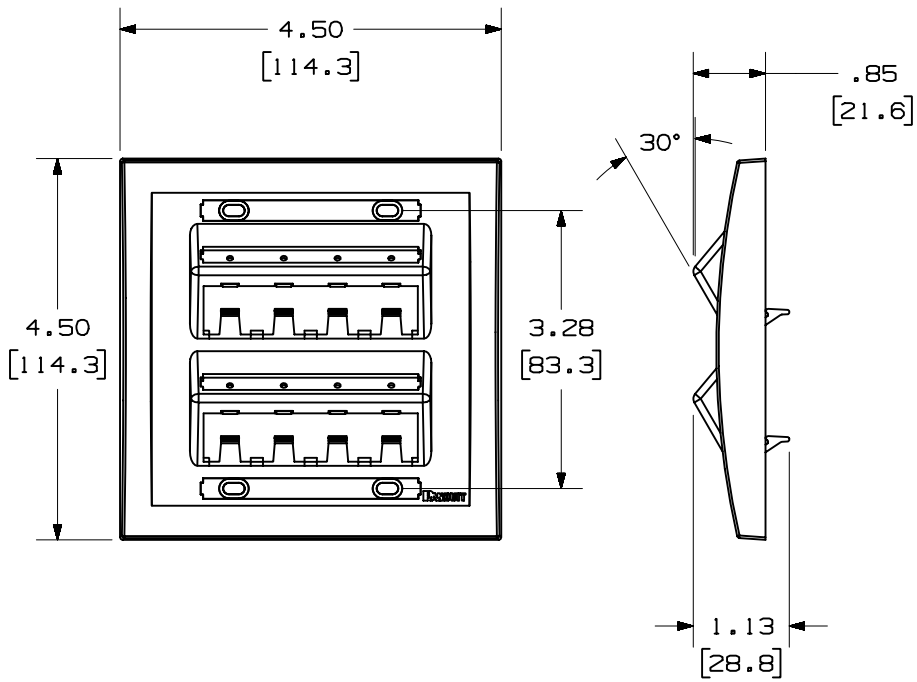
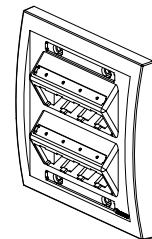


THIS COPY IS PROVIDED ON A RESTRICTED BASIS AND IS NOT TO BE USED IN ANY WAY DETRIMENTAL TO THE INTERESTS OF PANDUIT CORP.

PANDUIT P/N	WEIGHT
UICFPSE8***-2G	1.00 LB/10 PCS. (454.4 G/10 PCS.)



- NOTES:
1. SEE CURRENT CATALOG FOR ADDITIONAL PART NUMBER SUFFIXES TO INDICATE COLOR AND OR PACKAGE QUANTITY.
 2. SEE CATALOG FOR COMPLETE LIST OF PARTS APPLICABLE FOR USE WITH THIS PART.
 3. DIMENSIONS IN PARENTHESES ARE IN METRIC.
 4. PART INCLUDES:
 - 1- FACEPLATE
 - 2- COLOR COORDINATED LABEL COVER
 - 4- CLEAR LABEL COVER
 - 4- MOUNTING SCREW



MODEL FILENAME	M01739BD_UICFPSE82G_01.PRT	SIZE	A
DRAWING FILENAME	M01739BD_DC_01A.PRT		

MINI-COM™ ULTIMATE ID™ 8 POSITION
EXECUTIVE SLOPED DOUBLE GANG FACEPLATE
CUSTOMER DRAWING

REV	DATE	BY	CHK	DESCRIPTION	ECN	R	CUST	SUP	OTH
R	9-18-03	JsP		RELEASED TO PRODUCTION	01739-02				

<p>PANDUIT® CORP. TINLEY PARK, IL 60477</p>	1.1. NUMBER	N/A
	PRODUCT SPEC	N/A
<p>THIRD ANGLE PROJECTION</p>	WORK INSTRUCTION	N/A
	SCALE	FULL
<p>DRAWN BY JsP</p>	MATERIAL:	ABS
<p>DATE 9-18-03</p>	<p>ALL DIMENSIONS ARE GIVEN IN INCHES, UNLESS OTHERWISE SPECIFIED.</p> <p>DIMENSIONAL TOLERANCES ARE: (.X) ±.03 (.XXX) ±.005 (.XX) ±.01 ANGLES ± 1°</p>	<p>PART NO. UICFPSE8***-2G</p>
<p>CHK'D</p>		<p>DRAWING NO. 01739-02</p>