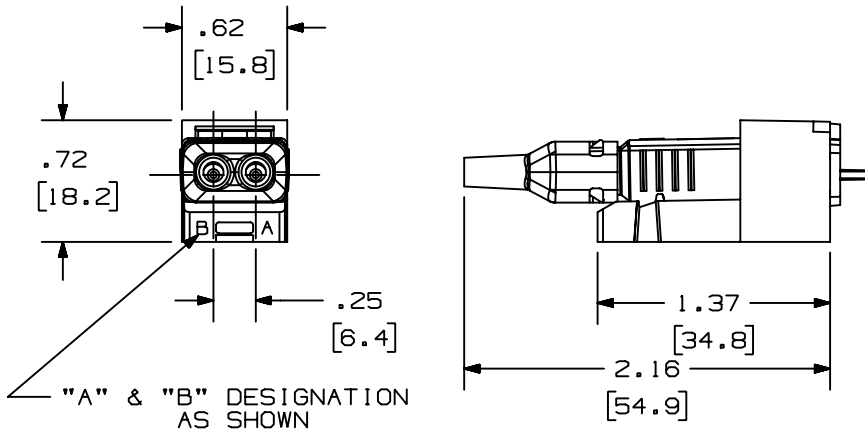
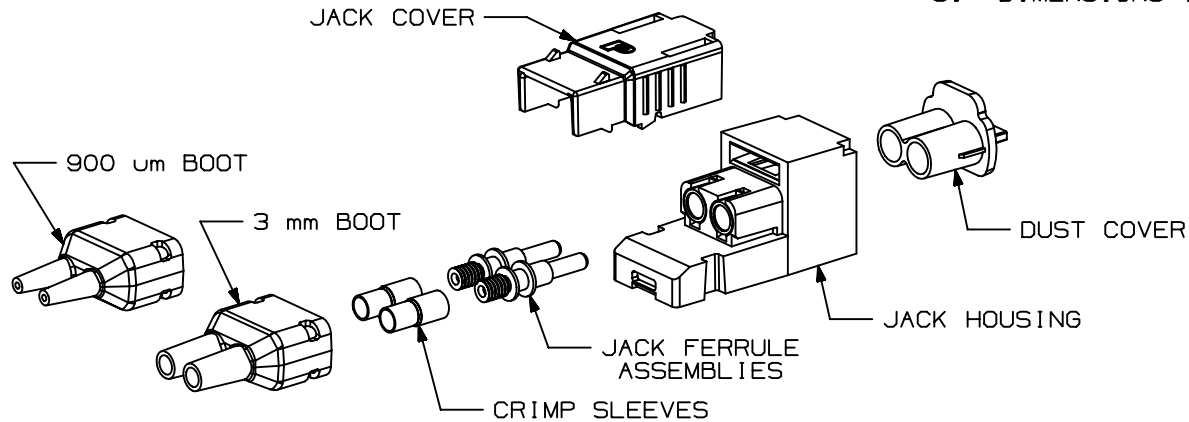


THIS COPY IS PROVIDED ON A RESTRICTED BASIS AND IS NOT TO BE USED IN ANY WAY DETRIMENTAL TO THE INTERESTS OF PANDUIT CORP.



PANDUIT P/N	WEIGHT	FERRULE TYPE
FJJGS9C**	.294 LB/10 PCS. (134.0 G/10 PCS.)	ZIRCONIA (CERAMIC)

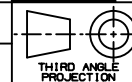
- NOTES:
- SEE CURRENT CATALOG FOR ADDITIONAL PART NUMBER SUFFIXES TO INDICATE COLOR AND OR PACKAGE QUANTITY.
 - OPTI-JACK ACCEPTS HIGH PERFORMANCE 50/125 OR 62.5/125 μ m MULTIMODE GLASS OPTICAL FIBER CABLE.
 - THE MAXIMUM INSERTION LOSS PER CONNECTOR IS .75 dB. OPERATING TEMPERATURE RANGE IS FROM -40° TO +70°C.
 - FULLY COMPLIES WITH THE FIBER OPTIC CONNECTOR PERFORMANCE REQUIREMENTS AS SPECIFIED IN TIA/EIA-568-A.
 - DIMENSIONS IN PARENTHESSES ARE IN METRIC.



SINGLEMODE G.O.F. JACK
CUSTOMER DRAWING



PANDUIT™
CORP.
TINLEY PARK, ILL 60477



ALL DIMENSIONS ARE GIVEN IN INCHES UNLESS OTHERWISE SPECIFIED.
DIMENSIONAL TOLERANCES ARE:
(.X) \pm .2 (5.0) (.XXX) \pm .010 (0.3)
(.XX) \pm .02 (0.5) ANGLES \pm 1°

DRAWING FILENAME
M00017AC_DC_01B.prt

SCALE
NONE

DRAWN BY
JSP

REVIEW DRAWING NUMBERS

PART NO.
FJJGS9C**

REV	DATE	BY	CHK	DESCRIPTION	ECN	R	CUST	SUP	OTH
2	05-11-05	MYW		RELEASED TO PRODUCTION	00017-20				

DATE
02-16-98
CHK'D
FJDU

SEE NOTES

DRAWING NO.
00017-20

SIZE
A