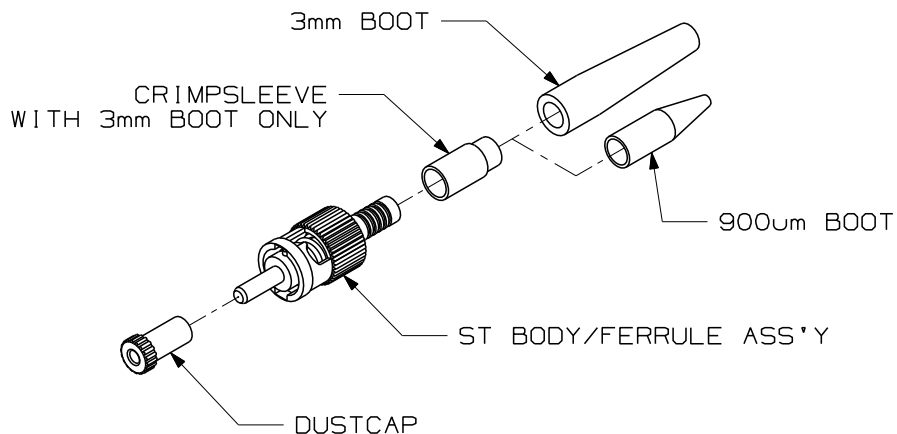


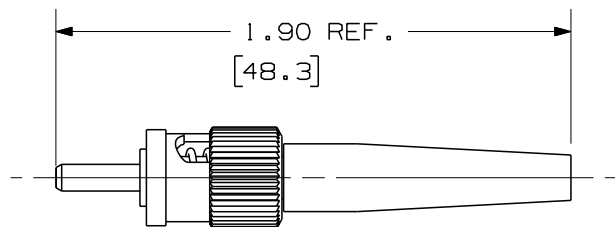
THIS COPY IS PROVIDED ON A RESTRICTED BASIS AND IS NOT TO BE USED IN ANY WAY DETRIMENTAL TO THE INTERESTS OF PANDUIT CORP.

PANDUIT P/N	WEIGHT
FSTSA**	1.00 lb/100 PCS [454.54g/100 PCS]

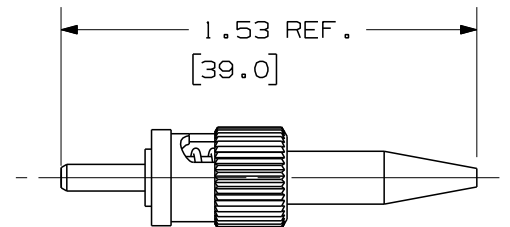


NOTES:


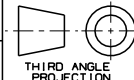
- SEE CURRENT CATALOG FOR ADDITIONAL PART NUMBER SUFFIXES TO INDICATE COLOR AND/OR PACKAGE QUANTITY.
- ACCEPTS 9/125um SINGLEMODE GLASS OPTICAL FIBER CABLE.
- MATERIALS:
CONNECTOR BODY/HARDWARE: NICKEL-PLATED ZINC
BOOT: THERMOPLASTIC RUBBER
FERRULE: ZIRCONIA (CERAMIC)
- COMPLIES WITH THE FIBER OPTIC PERFORMANCE REQUIREMENTS AS SPECIFIED BY TIA/EIA-568-B.3
- COMPATIBLE WITH TIA-EIA-604-2 (FOCIS-2)
- FERRULE DIAMETER: 2.4985/2.4995mm.
- DIMENSIONS IN BRACKETS ARE METRIC [mm].
- ALL MATERIALS AND COMPONENTS USED MUST MEET THE MATERIAL RESTRICTIONS OF RoHS, (EUROPEAN DIRECTIVE 2002/95/EC ON THE RESTRICTIONS OF HAZARDOUS SUBSTANCES) AS PROPOSED BY THE RoHS TECHNICAL ADAPTATION COMMITTEE.



ST CONNECTOR WITH 3mm BOOT
(DUSTCAP REMOVED)



ST CONNECTOR WITH 900um BOOT
(DUSTCAP REMOVED)

REV	DATE	BY	CHK	DESCRIPTION	ECN	R	CUST	SUP	OTH	CHK'D	MMW	ST SIMPLEX SINGLEMODE CONNECTOR CUSTOMER DRAWING		
2	06-19-06	JH		RELEASED TO PRODUCTION	01197-07							 PANDUIT ™ CORP. TINLEY PARK, ILL 60477	ALL DIMENSIONS ARE GIVEN IN INCHES, UNLESS OTHERWISE SPECIFIED. DIMENSIONAL TOLERANCES ARE: (.X) (.XXX).010 (0.3) (.XX).03 (0.8) ANGLES	DRAWING FILENAME MO1197BE_DC_01B.prt
													SCALE NONE	
												 THIRD ANGLE PROJECTION	PART NO. FSTSA**	
												DRAWING NO. 01197-07	SIZE A	
												DRAWN BY EFK	REVIEW DRAWING NUMBERS AS NOTED	