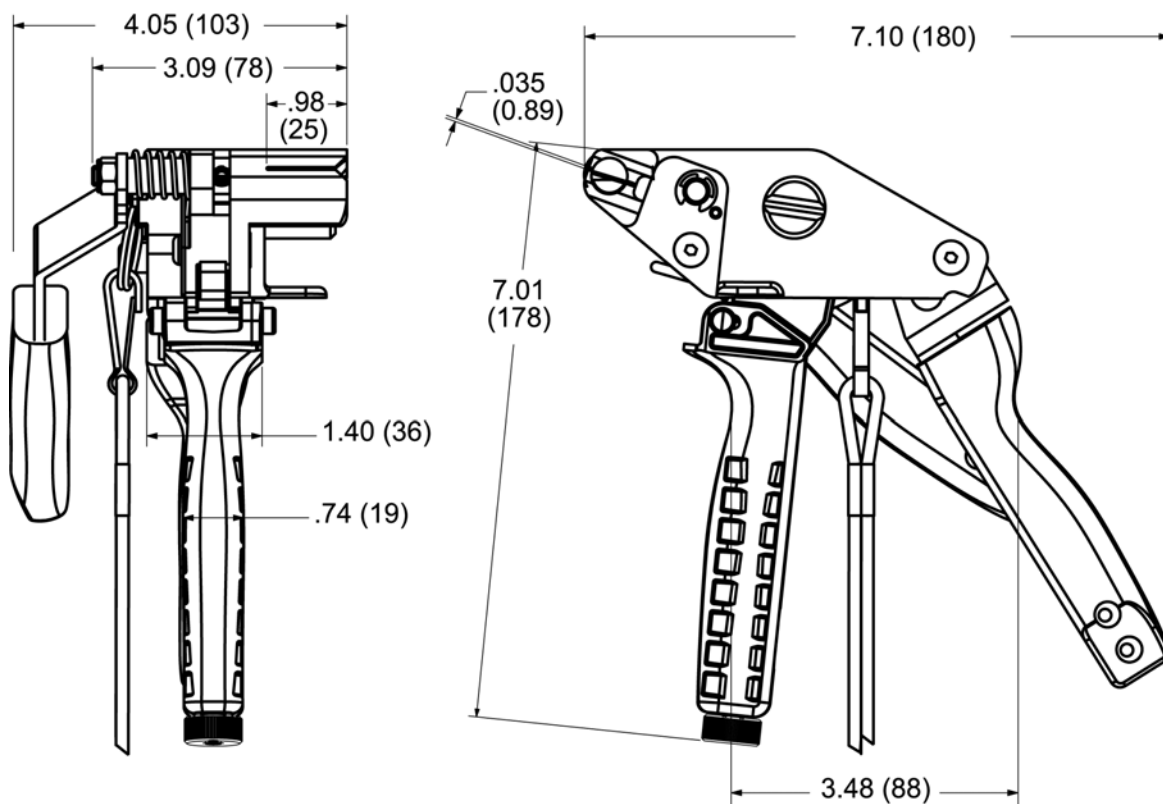


THIS COPY IS PROVIDED ON A RESTRICTED BASIS AND IS NOT TO BE USED IN ANY WAY DETRIMENTAL TO THE INTERESTS OF PANDUIT CORP.



**NOTES, UNLESS OTHERWISE SPECIFIED:**  
 PANDUIT TOOL NUMBER RT2HT IS USED TO  
 INSTALL COATED & UNCOATED PAN-STEEL  
 MLTEH, MLTEH15 AND MLTSH TIES.

**THIS TOOLS' FEATURES INCLUDE:**

- Single handle trigger for fast installation
- Cable tie side entry for immediate positioning of tie and tool
- Adjustable controlled or Installer controlled tension
- Cut-off capability with the cutter and cutter handle
- Easy removal of excess tie
- Multi-position rear handle allows access to tight areas.
- Features to release & remove tie from tool before cutting.

**CABLE TIE CROSS-SECTION CODE:**

MLTEH      MLTEH15      MLTSH

TOOL WEIGHT: 2.5 lbs. (40 oz.)  
 Dimensions shown in parenthesis are metric.

F:\wrkgrp\rvusers\ENGR DOCS-NEW\ CUSTDWG\TM25754A01\_00 RT2HT.doc

00	4-25-08	BLR	BJPU	RELEASED	4288	--	ABJ		
REV	DATE	BY	CHK'D	DESCRIPTION	ECN	-R	CUST	SUP	

**PANDUIT** CORP. TINLEY PARK, ILLINOIS

**RT2HT CUSTOMER DRAWING**

UNLESS OTHERWISE SPECIFIED, DIMENSIONAL TOLERANCES ARE:  
 (.x) ± --- (.xxx) ± ---  
 (.xx) ± --- ANGLES ± ---

UNLESS OTHERWISE SPECIFIED, ALL DIMENSIONS ARE GIVEN IN INCHES, THIRD ANGLE PROJECTION.

DRAWN BY: BLR      MATL:      SCALE: NONE

DATE: 4-25-08      SHEET 1 OF 1      DRAWING NO. TM25754A01      DWG A SIZE

CHK'D: BJPU