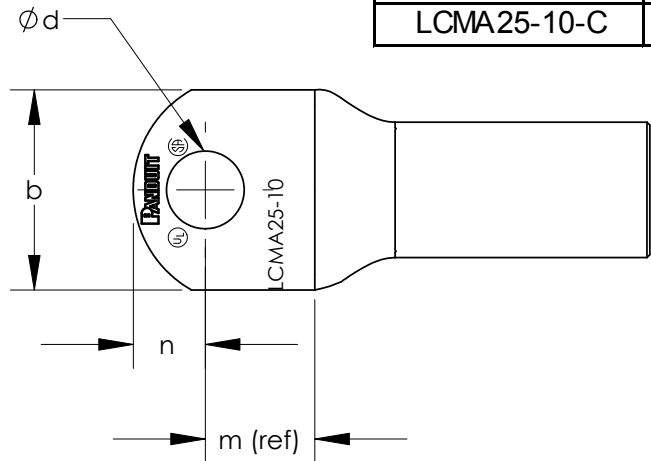


ALL DIMENSIONS ARE IN mm

Part Number	Class 2R Wire Size	Stud Size	Wire Strip Length	Current Rating	Panduit Die Index No. for Class 2R Wire	l ±2.76	o ±.50	i ±.50	a ±2.25	m (ref)	n ±1.25	d ±.50	b ±1.25	t
*LCMA6-5-C	4-6 mm ²	M5	11.00	30A	P10	27.5	5.50	3.80	9.5	7.8	6.2	5.50	10.0	1.17 ± .30
*LCMA6-6-C	4-6 mm ²	M6	11.00	30A	P10	27.5	5.50	3.80	9.5	7.8	6.2	6.60	10.8	1.17 ± .30
*LCMA6-8-C	4-6 mm ²	M8	11.00	30A	P10	30.5	5.50	3.80	11.0	8.0	8.0	9.00	13.0	0.96 ± .30
LCMA10-5-C	10 mm ²	M5	11.00	----	P21	30.8	6.20	4.50	11.0	9.8	6.0	5.50	11.0	1.20 ± .35
LCMA10-6-C	10 mm ²	M6	12.50	----	P21	30.8	6.20	4.50	11.0	9.8	6.0	6.60	11.0	1.20 ± .35
LCMA10-8-C	10 mm ²	M8	13.00	----	P21	30.8	6.20	4.50	11.5	8.5	8.0	9.00	13.0	1.05 ± .35
LCMA10-10-C	10 mm ²	M10	13.00	----	P21	30.8	7.14	4.36	11.5	8.5	8.0	11.00	14.5	1.65 ± .35
*LCMA16-5-C	16 mm ²	M5	16.00	65A	P24	34.5	7.20	5.50	14.5	10.3	6.5	5.50	13.0	1.26 ± .40
*LCMA16-6-C	16 mm ²	M6	16.00	65A	P24	34.5	7.20	5.50	14.5	10.3	6.5	6.60	13.0	1.26 ± .40
*LCMA16-8-C	16 mm ²	M8	16.00	65A	P24	34.5	7.20	5.50	14.5	10.3	6.5	9.00	13.0	1.20 ± .40
*LCMA16-10-C	16 mm ²	M10	16.00	65A	P24	36.7	7.20	5.50	14.5	10.2	8.0	11.00	15.0	1.10 ± .40
LCMA25-6-C	25 mm ²	M6	16.50	----	P29	37.0	8.80	6.90	15.0	10.0	8.0	6.60	14.0	1.60 ± .40
LCMA25-8-C	25 mm ²	M8	16.50	----	P29	37.0	8.80	6.90	15.0	10.0	8.0	9.00	15.5	1.60 ± .40
LCMA25-10-C	25 mm ²	M10	16.50	----	P29	37.0	8.80	6.90	15.0	10.0	8.0	11.00	15.5	1.50 ± .40



- NOTES:
1. Material: High conductivity seamless copper tube.
 2. Plating: Parts are tin plated.
 3. Wire Type: Class 2R Stranded Copper.
 4. UL Listed or *Recognized Wire Connector: Yes, for applications up to 35kv. Consult cable manufacturer for voltage stress relief instructions with applications greater than 2000 volts.
 5. UL Temperature Rating: 90° C
 6. C.S.A. Certified Wire Connector: Yes



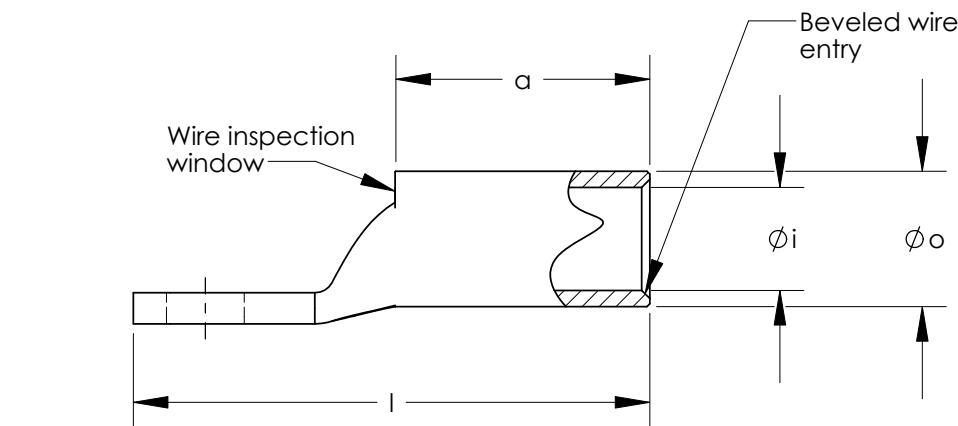
RECOGNIZED Wire Connector



LISTED Wire Connector



CERTIFIED



07	9/10	TLCO	TLCO	ADDED .76mm TO TOLERANCE l. ADDED .25mm TO TOLERANCE e, a, n, d, b. ADDED .15mm TO TOLERANCE t.	N10637BE-C41670	FLD	FLD
06	3/08	JHNU	TLCO	REVISED LCMA16 LUGS TO RECOGNIZED, ADDED CURRENT RATING			
05	2/08	JHNU	TLCO	REMOVED CLASS 5F WIRE SIZES & DIE INDEX NUMBERS ADDED UL RECOGNIZED TO NOTE 4 ALONG WITH RECOGNIZED LOGO & CURRENT RATING COLUMN.			
04	1/07	JHNU	PWS	REVISED DRAWING FORMAT AND ADDED NOTES ADDED UL & CSA LOGOS TO DRAWING	PC00642		
03	8/06	JHNU	JHNU	REVISED BARREL LENGTH AND OVERALL LENGTH TOLERANCE: +/- 2.0 WAS +/- 1.0	PC00522		
02	6/06	JHNU	SRBI	REVISED CLASS 2 AND CLASS 5 WIRE SIZE FOR LCMA6-5-C THRU LCMA6-8-C REVISED CLASS 5 WIRE SIZE FOR LCMA16-5-C THRU LCMA25-10-C	PC00462		
01	5/06	JHNU	JHNU	REVISED CLASS 5 WIRE SIZE FOR LCMA10-10: 10mm WAS 16mm	PC00407		
00	4/06	JHNU	JHNU	DRAWING RELEASED	PC00401		
REV	DATE	BY	CHK	DESCRIPTION	ECN	-R	SUP

PANDUIT CORP. TINLEY PARK, ILLINOIS

METRIC LUGS - LCMA SERIES 6-25mm² CUSTOMER DRAWING

UNLESS OTHERWISE SPECIFIED
DIMENSIONAL TOLERANCES ARE:
(.X) ± (.XXX) ±
(.XX) ± ANGLES ±

UNLESS OTHERWISE SPECIFIED,
ALL DIMENSIONS ARE GIVEN IN
INCHES, THIRD ANGLE PROJECTION

DRAWN BY
JHNU
DATE
4/06
CHK'D
JHNU

MAT'L:

SCALE NONE

DRAWING NO / CAD FILE
C41670_07
DWG
B
SIZE