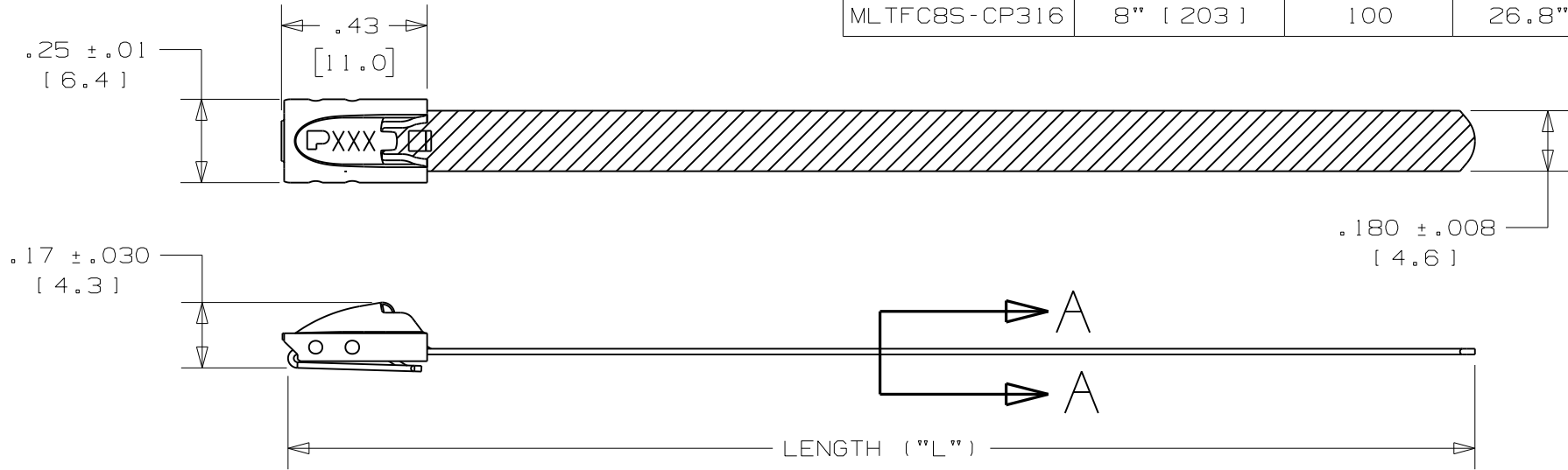


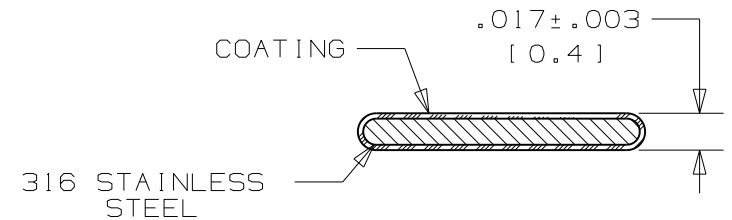
THIS COPY IS PROVIDED ON A RESTRICTED BASIS AND IS NOT TO BE USED IN ANY WAY DETRIMENTAL TO THE INTERESTS OF PANDUIT CORP.

PANDUIT PART NO.	MAX BUNDLE DIAMETER	PACKAGE QTY	LENGTH ("L") +/- .3" [7]
MLTFC2S-CP316	2" [51]	100	7.9" [201]
MLTFC4S-CP316	4" [102]	100	14.3" [361]
MLTFC6S-CP316	6" [152]	100	20.5" [521]
MLTFC8S-CP316	8" [203]	100	26.8" [679]



NOTES:

- 1.) APPLICATION TOOLS - GS4MT, PPTMT, ST2MT, ST3MT, HTMT
- 2.) MINIMUM LOOP TENSILE STRENGTH - 100 LBS. (445 NEWTONS) WHEN TESTED ON A 1.5" MANDREL.
- 3.) BRACKETS [] DENOTE DIMENSIONS IN MILLIMETERS, AND ARE SHOWN FOR REFERENCE ONLY
- 4.) TOLERANCES:
 .XXX = ±.010 [.25]
 .XX = ±.02 [.5]
 .X = ±.03 [.8]
 ANGLES = ±2°
- 5.) MATERIAL: 316 STAINLESS STEEL
- 6.) COATING - POLYESTER
 COATING THICKNESS: .002 MIN./ .005 MAX. PER SIDE



SECTION A - A
SCALE 8:1

				PANDUIT CORP. TINLEY PARK, ILLINOIS					
NOTE #3 METRIC DIMENSIONS NOTED AS BEING SHOWN FOR REFERENCE ONLY				METAL LOCKING TIE - COATED STANDARD SERIES-316 STAINLESS STEEL (CUSTOMER DRAWING)					
01A	2/12	MIM	RGRO					RELEASED	SS00021
00A	8/05	JAMB	EJD						
REV	DATE	BY	CHK	DESCRIPTION	ECN #	DRAWN BY JAMB	CHK'D EJD	SCALE 2x	DRAWING NO. N41214BS_DC