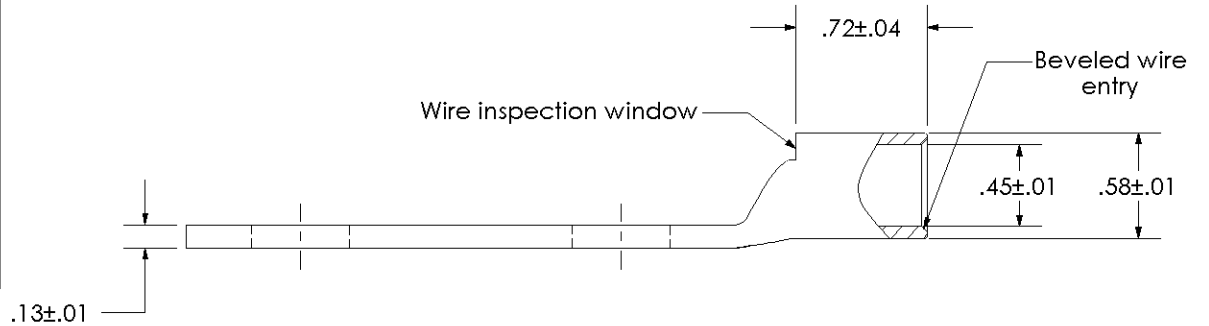
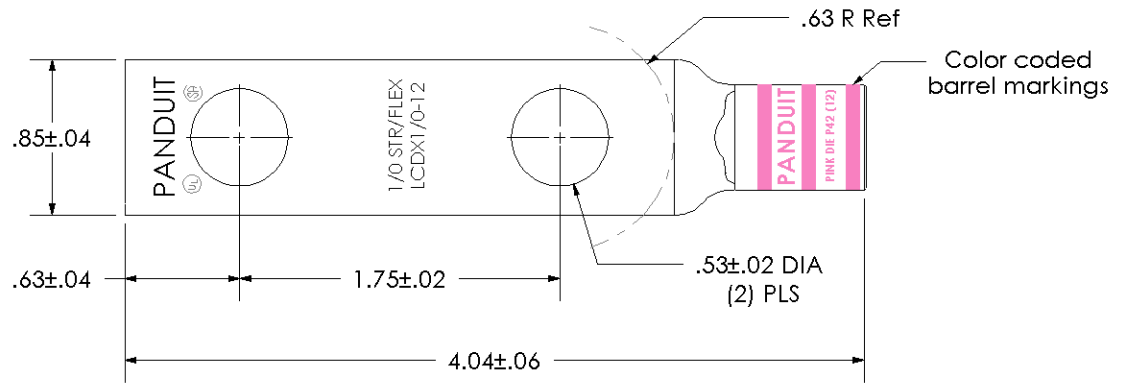


THIS COPY IS PROVIDED ON A RESTRICTED BASIS AND IS NOT TO BE USED IN ANY WAY DETRIMENTAL TO THE INTERESTS OF PANDUIT CORP.

| | |
|--|--|
| Material | High Conductivity Seamless Copper Tube |
| Plating | Electro-Tin |
| Wire Size | 1/0 STR/FLEX |
| Wire Type | Stranded Copper: Class B & C, Compact, Class G, H, I, K, M, Locomotive |
| Wire Strip Length | 3/4 in. |
| Stud Size | 1/2 in. |
| UL Listed Wire Connector | Yes, for applications up to 35kv. Consult cable manufacturer for voltage stress relief instructions with applications greater than 2000 volts. |
| UL Temperature Rating | 90° C |
| C.S.A Certified Wire Connector | Yes |
| Panduit Color Code on Barrel | PINK |
| Panduit Die Index No. on Barrel | P42 |
| Alternate Industry Die Index No. () on Barrel | (12) |



CERTIFIED



LISTED Wire Connector

| | | | | | |
|-----|------|-----|-----|-------------|-------|
| 00 | 6/03 | SAC | SAC | RELEASED | 10850 |
| REV | DATE | BY | CHK | DESCRIPTION | ECN |

PANDUIT CORP. TINLEY PARK, ILLINOIS

LCDX1/0-12-X
Copper Lug - Two-Hole, Standard Flex Barrel

SCALE N/A DRAWING NO / CAD FILE LCDX1_0-12-CUST