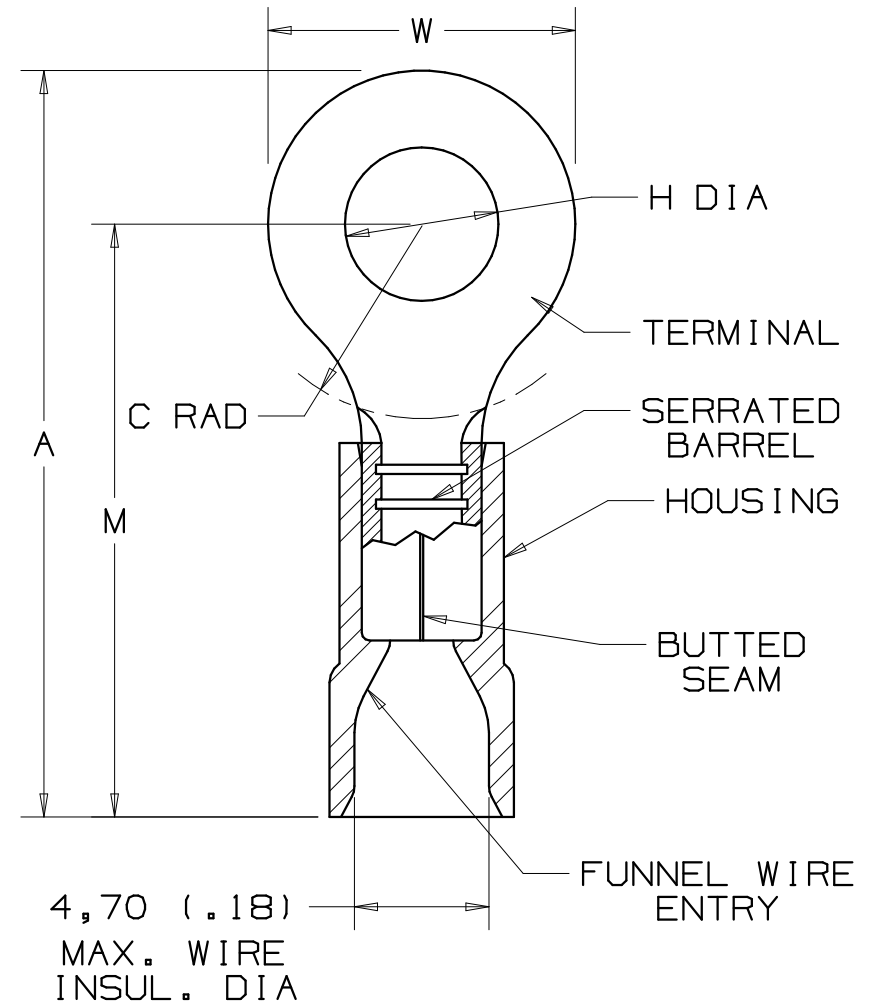


THIS COPY IS PROVIDED ON A RESTRICTED BASIS AND IS NOT TO BE USED IN ANY WAY DETRIMENTAL TO THE INTERESTS OF PANDUIT CORP.


PANDUIT PART #	STUD SIZE	DIMENSIONS mm				
		A ±0,51	W ±0,25	C ±0,38	M ±0,51	H ±0,25
PREFIX						
PMV2-3RB	M3	20,5 (.81)	5,84 (.23)	6,35 (.25)	15,24 (.60)	3,30 (.13)
PMV2-4RB	M4	23,05 (.91)	7,87 (.31)	6,35 (.25)	16,76 (.66)	4,57 (.18)
PMV2-5RB	M5	23,75 (.94)	8,89 (.35)	6,35 (.25)	16,76 (.66)	5,33 (.21)
PMV2-6RB	M6	25,65 (1.01)	10,92 (.43)	9,65 (.38)	20,07 (.79)	6,86 (.27)

NOTES:

- USED FOR:
  - A. 600V MAX. VOLTAGE RATING
  - B. 105°C (221°F) MAX. TEMP. RATING
  - C. 1,5-2,5mm<sup>2</sup> (#16-14 AWG), STRANDED COPPER WIRE
- MATERIAL:
  - A. STAMPING - 0,81mm (.03) THK COPPER, TIN PLATED
  - B. HOUSING - BLUE VINYL
- DIMENSIONS IN BRACKETS ARE IN INCHES
- PACKAGE QTY:
  - A. -X =10, -C =100, -M =1000
- WIRE STRIP LENGTH:  $7,9^{+,8}_{-0}$  (5/16<sup>+1/32</sup><sub>-0</sub>)
- INSTALLATION TOOLS: REF. DWGS. A41522, A41523, A41524, A41525



A41421\_03

03	10/06	DAW	DAW	ADDED -X PACKAGE QTY.	TRO0171	LCA	TRO	 CORP. TINLEY PARK, ILLINOIS
02	10/97	TM	WJB	CHANGED DECIMAL POINTS TO COMMAS	06431	LCA	DH	
01	1/97	TM	RLS	UPDATE DIMENSIONS AND NOTES FILESPEC WAS NPC_A41421_00	05478	LA	DH	2 PC. VINYL INSULATED METRIC RINGS 1,5-2,5mm <sup>2</sup> BARREL
00	10/91	BK	RLS	RELEASED	00687	LA	KS	
REV	DATE	BY	CHK	DESCRIPTION	ECN #	CUST	PM	DRAWN BY: BDK CHK'D: NONE SCALE: NONE DRAWING NO.: A41421