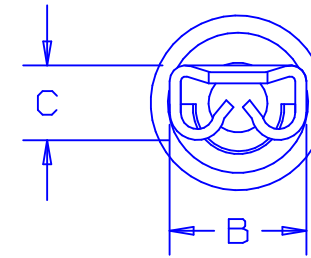
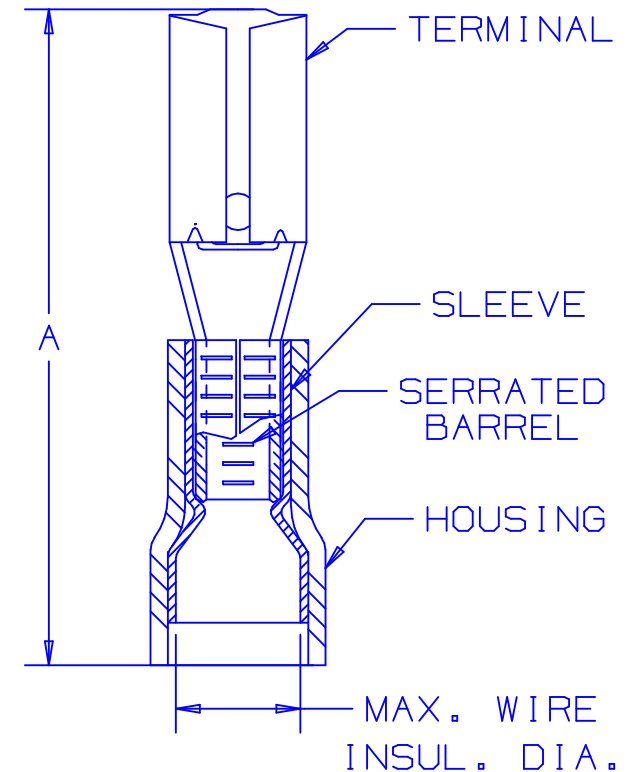


| PART NUMBER | TAB SIZE | WIRE RANGE AWG | MAX. INSUL. DIA. | DIMENSIONS in. | | |
|-------------|----------------------------|--------------------|------------------|----------------|--------------|--------------|
| | | | | A $\pm .03$ | B $\pm .01$ | C $\pm .01$ |
| DNF18-110 | .110 X .032 (2.8 X 0.8) | 22-18 (0.5-1.0) | .100 (2.54) | .69 (17.5) | .15 (3.8) | .08 (2.0) |
| DNF18-111 | .110 X .020 (2.8 X 0.5) | 22-18 (0.5-1.0) | .100 (2.54) | .69 (17.5) | .15 (3.8) | .07 (1.8) |



NOTES:

- UL LISTED AND CSA CERTIFIED FOR:
 - 300V. MAX. VOLTAGE RATING
 - #22-18 AWG STRANDED COPPER WIRE ONLY
 - 194° F (90° C) MAX. TEMP. RATING
- MATERIAL:
 - STAMPING - .010" (0.25) THK BRASS, TIN PLATED
 - SLEEVE - BRASS, TIN PLATED
 - HOUSING- NYLON, RED
- PACKAGE QTY: STD. PKG. -C= 100
BULK PKG. -M= 1000
- INITIAL INSERTION FORCE - 12 LB. (53 N) MAX
INITIAL WITHDRAWAL FORCE - 12 LB. (53 N) MAX
6 LB. (27 N) MIN
- DIMENSIONS IN BRACKETS ARE IN MILLIMETERS OR mm²
- INSTALLATION TOOLS:
 - UL LISTED & CSA CERTIFIED: CT-520, CT-1525
 - PANDUIT RECOMMENDED: CT-100
- WIRE STRIP LENGTH: 9/32 ^{+1/32}₀ (7.1 ⁺⁸₀)



LISTED
20H3
E78522



CERTIFIED
LR31212

A41308_05

| | | | | | | | | |
|-----|-------|------|-----|------------------------------|-------|------|----|--|
| 05 | 7/03 | KLFU | | UPDATED DRAWING | | | | <p>TINLEY PARK, ILLINOIS</p> <p>#22-18 BARREL NYLON INSULATED FEMALE DISCONNECT, FUNNELED WIRE ENTRY</p> |
| 04 | 5/98 | TM | JW | ADDED CT-1525 TO TOOL NOTES | 06872 | LA | DH | |
| 03 | 6/95 | MS | RS | UPDATED NOTES AND DIMENSIONS | 03370 | LA | KS | |
| 02 | 11/94 | TH | RS | UPDATED NOTES AND DIMENSIONS | 02689 | LA | TK | |
| REV | DATE | BY | CHK | DESCRIPTION | ECN # | CUST | PM | |
| | | | | | | | | DRAWN BY: DAW CHK'D: SCALE: NONE DRAWING NO.: A41308 |