

THIS COPY IS PROVIDED ON A RESTRICTED BASIS AND IS NOT TO BE USED IN ANY WAY DETRIMENTAL TO THE INTERESTS OF PANDUIT CORP.

| PANDUIT PART NUMBER | STUD SIZE | DIMENSIONS in. |               |               |                |               |
|---------------------|-----------|----------------|---------------|---------------|----------------|---------------|
|                     |           | A ±.03         | W ±.01        | C ±.015       | M ±.03         | H ±.01        |
| PV14-6FX            | #6        | .89<br>(22.61) | .28<br>(7.11) | .16<br>(4.06) | .75<br>(19.05) | .15<br>(3.81) |
| PV14-8FX            | #8        | .96<br>(24.38) | .31<br>(7.87) | .20<br>(5.08) | .79<br>(20.07) | .17<br>(4.32) |
| PV14-10FX           | #10       | .97<br>(24.64) | .34<br>(8.64) | .22<br>(5.59) | .80<br>(20.32) | .20<br>(5.08) |

NOTES:

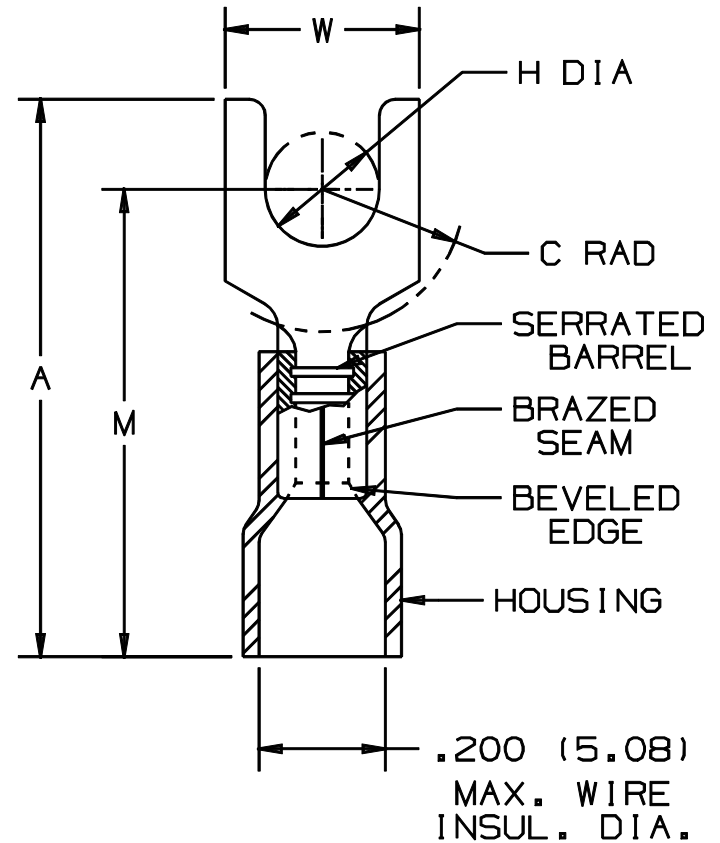
- UL LISTED & CSA CERTIFIED FOR
  - A. 600 V. MAX VOLTAGE RATING (1000 V. MAX IN SIGNS, FIXTURES AND LUMINAIRES).
  - B. 18-14 AWG SOLID OR STRANDED COPPER WIRE & 221°F (105°C) MAX TEMP RATING, WITH THE CT-500, CT-550 CT-1551, CT-1550 INSTALLATION TOOLS.
  - C. 16-14 AWG SOLID OR STRANDED COPPER WIRE & 167°F (75°C) MAX TEMP RATING WITH THE CT-100 INSTALLATION TOOLS.
- MATERIAL:
  - A. STAMPING - .03 (.08) THK COPPER, TIN PLATED
  - B. HOUSING - VINYL, BLUE
- STRIP LENGTH 5/16 <sup>+1/32</sup> <sub>0</sub>
- PACKAGE QTY:
  - C=100
  - M=1000
- DIMENSIONS IN BRACKETS ARE IN MILLIMETERS.



LISTED  
587H  
E52164



CERTIFIED  
LR31212



A41258\_06

|     |      |     |     |                                |       |      |    |   |
|-----|------|-----|-----|--------------------------------|-------|------|----|---|
| 06  | 1/01 | RM  |     | FILESPEC WAS N41258AA_PCD_05   |       |      |    | <p>TINLEY PARK, ILLINOIS</p> <p>#16-14 BARREL VINYL INSULATED FORK,<br/>.200 (5.08) MAX WIRE INSUL DIA.</p> |
| 05  |      | JKD |     | ADDED CT-1551 & CT-1550 TOOLS  | 07634 |      |    |   |
| 4   | 9-94 | MS  | RLS | TEMP. RATING (221°F) WAS 212°F | 02482 | LA   | TM |   |
| 3   | 9-94 | MS  | RS  | REVISED DIMENSIONS AND NOTES   | 02476 | LA   |    |   |
| REV | DATE | BY  | CHK | DESCRIPTION                    | ECN   | CUST | PM | DRAWN BY<br>DAW   |
|     |      |     |     |                                |       |      |    | Ck'D<br>RLS   |
|     |      |     |     |                                |       |      |    | SCALE<br>NONE   |
|     |      |     |     |                                |       |      |    | DRAWING NO.<br>A41258   |