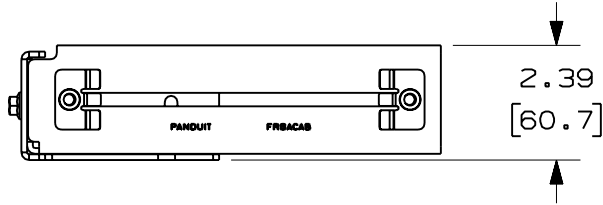


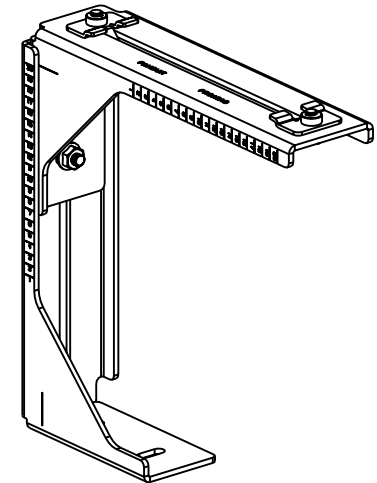
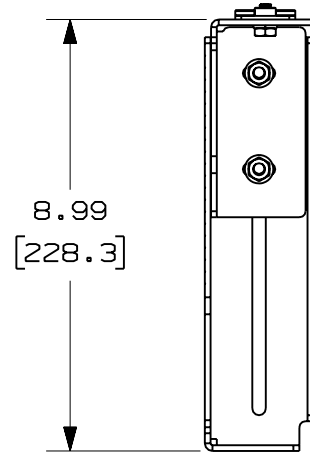
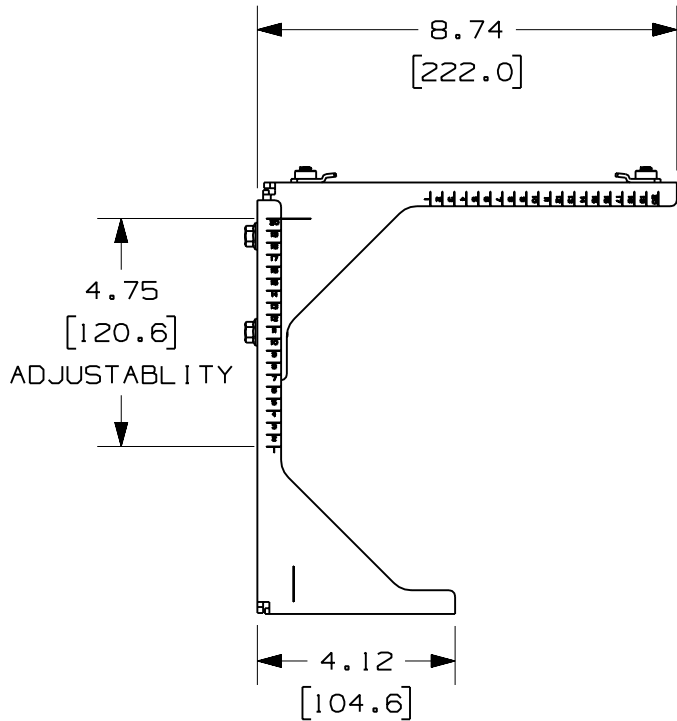


PANDUIT PART NUMBER	WEIGHT
FR6ACAB	2.35 LB/EACH (1067g/EACH)



NOTES:

1. SEE CURRENT CATALOG FOR ADDITIONAL PART SUFFIXES TO INDICATE PACKAGE QUANTITY.
2. THE FIBERRUNNER 4x4 AND 6x4 QUIKLOCK ADJUSTABLE CABINET BRACKET IS USED TO SUPPORT THE FIBERRUNNER 4x4 AND 6x4 CABLE ROUTING SYSTEMS DIRECTLY ALONG THE TOP OF TELECOMMUNICATION CABINETS WITHOUT THE USE OF THREADED ROD.
3. FINISH COLOR: BLACK (EXCEPT HARDWARE)
4. DIMENSIONS IN PARENTHESES ARE IN METRIC.



ENG. REF.: D38238BI_DC_FR6ACAB_01.prt

CAD FILENAME/LAYERS
C FR6ACAB.pdf

PANDUIT CORP TINLEY PARK, ILLINOIS
 FIBERRUNNER 4x4 AND 6x4 QUIKLOCK
 ADJUSTABLE CABINET BRACKET (FR6ACAB)
 CUSTOMER DRAWING B

UNLESS OTHERWISE SPECIFIED,
 DIMENSIONAL TOLERANCES ARE:
 (.X) ± (.XXX) ±
 (.XX) ± .03 (.8) ANGLES ±

UNLESS OTHERWISE SPECIFIED,
 ALL DIMENSIONS ARE GIVEN IN
 INCHES, THIRD ANGLE PROJECTION.

DRAWN BY: JHNU
 DATE: 4-25-02
 CHK'D: HIW

MAT'L: STEEL

SCALE: NONE
 DRAWING NO.: 38238-08
 DWG SIZE: A

REV	DATE	BY	CHK	DESCRIPTION	ECN	R	CUST	SUP	GMBH
-	-----	---	--	E. REVISED PART WEIGHT.	-----	--	--		
-	-----	---	--	D. REVISED GENERAL NOTES. C. REVISED CAD FILENAME.	-----	--	--		
1	12-29-06	MSO	RN	B. REVISED DRAWING TITLE. A. REVISED AND REDRAWN.	38238-08	RN	RN		