

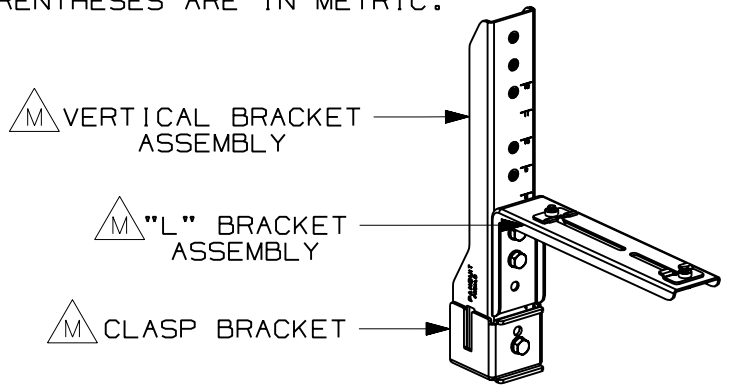
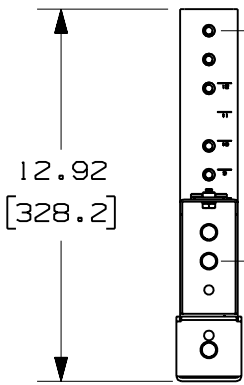
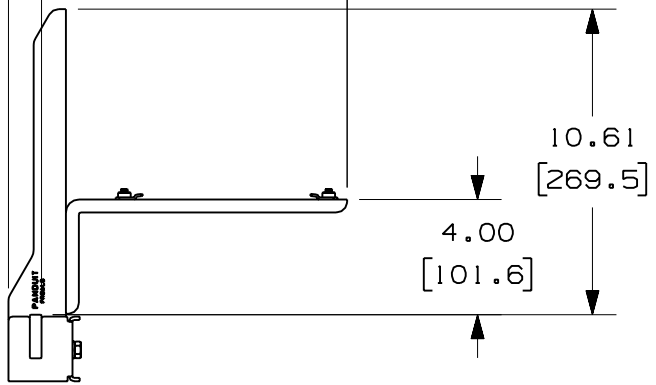
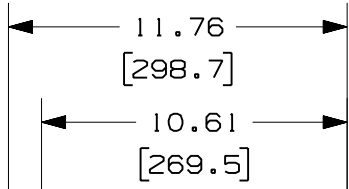
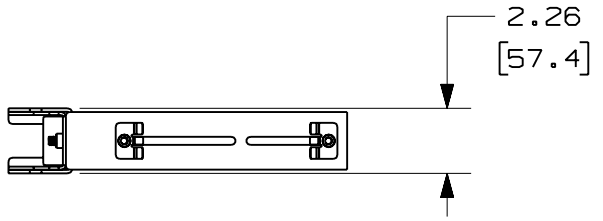


PANDUIT PART NUMBER	WEIGHT
FR6ALB	2.89 LB/EACH (1310g/EACH)



NOTES:

1. SEE CURRENT CATALOG FOR ADDITIONAL PART SUFFIXES TO INDICATE PACKAGE QUANTITY.
2. THE FIBERRUNNER 4x4 AND 6x4 QUIKLOCK ADJUSTABLE LADDER RACK BRACKET ALLOWS FOR THE FIBERRUNNER 4x4 AND/OR 6x4 CABLE ROUTING SYSTEMS TO BE MOUNTED TO THE STRINGER OF 3/8"x1 1/2" (9.5x38.1) OR 3/8"x2" (9.5x50.8) LADDER RACK.
3. THE FIBERRUNNER 4x4 AND 6x4 QUIKLOCK ADJUSTABLE LADDER RACK BRACKET INCLUDES:
ONE (1) CLASP BRACKET,
ONE (1) VERTICAL BRACKET ASSEMBLY,
ONE (1) "L" BRACKET ASSEMBLY,
THREE (3) 5/16 HELICAL SPRING LOCKWASHERS,
THREE (3) 5/16-18x3/4 HEX HEAD CAP SCREWS
4. FINISH COLOR: BLACK (EXCEPT FOR HARDWARE)
5. DIMENSIONS IN PARENTHESES ARE IN METRIC.



ENG. REF.: D37585DG_DC_FR6ALB_02.prt

CAD FILENAME/LAYERS: FR6ALB.pdf

REV	DATE	BY	CHK	DESCRIPTION	ECN	R	CUST	SUP	GMBH
-	-----	---	--	M. ADDED LOCAL NOTES.	-----	--	--		
-	-----	---	--	L. REVISED GENERAL NOTES. K. REVISED PART WEIGHT.	-----	--	--		
3	1-5-07	MSO	RN	J. REVISED DRAWING TITLE. I. REVISED AND REDRAWN.	37585-79	RN	RN		

PANDUIT CORP TINLEY PARK, ILLINOIS

FIBERRUNNER 4x4 AND 6x4 QUIKLOCK ADJUSTABLE LADDER RACK BRACKET (FR6ALB)
CUSTOMER DRAWING

UNLESS OTHERWISE SPECIFIED, DIMENSIONAL TOLERANCES ARE: (.X) ± (.XXX) ± (.XX) ± .03 (.8) ANGLES ±		UNLESS OTHERWISE SPECIFIED, ALL DIMENSIONS ARE GIVEN IN INCHES, THIRD ANGLE PROJECTION.	
DRAWN BY: MSO	MAT'L: STEEL	SCALE: NONE	DWG SIZE: A
DATE: 12-7-00	CHK'D: CVV	DRAWING NO.: 37585-79	