

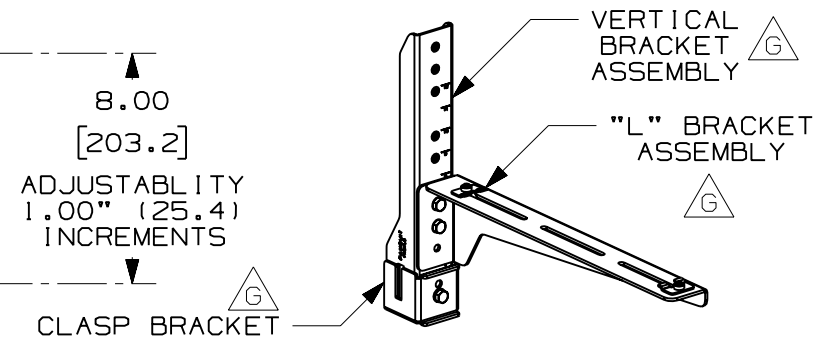
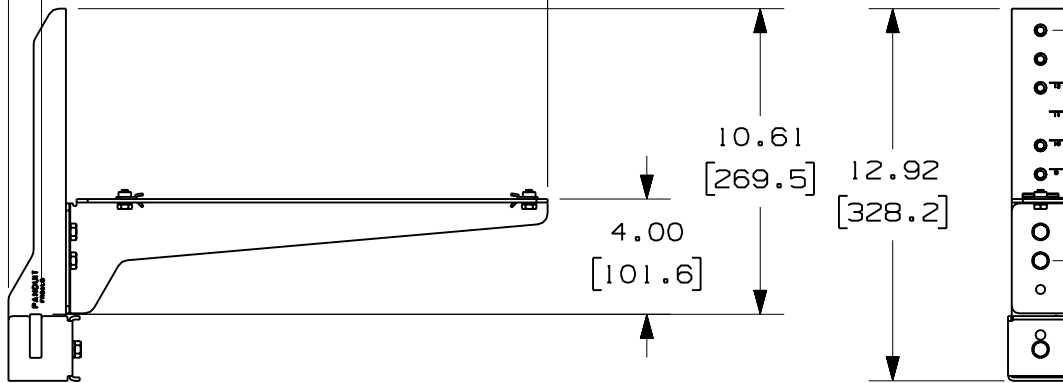
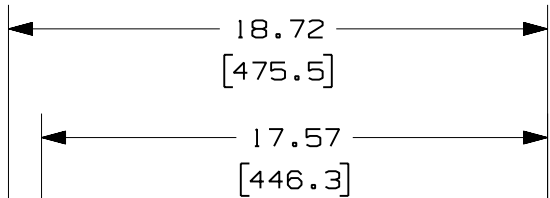
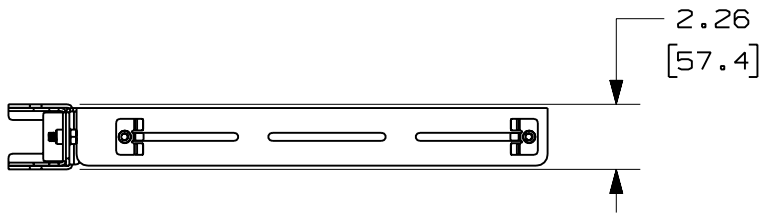


PANDUIT PART NUMBER	WEIGHT
FR12ALB	4.29 LB/EACH (1946g/EACH)



NOTES:

- SEE CURRENT CATALOG FOR ADDITIONAL PART SUFFIXES TO INDICATE PACKAGE QUANTITY.
- THE FIBERRUNNER 12x4 QUIKLOCK ADJUSTABLE LADDER RACK BRACKET ALLOWS FOR THE FIBERRUNNER 12x4 CABLE ROUTING SYSTEM TO BE MOUNTED TO THE STRINGER OF 3/8"x1 1/2" (9.5x38.1) OR 3/8"x2" (9.5x50.8) LADDER RACK.
- THE FIBERRUNNER 12x4 QUIKLOCK ADJUSTABLE LADDER RACK BRACKET INCLUDES:
ONE (1) CLASP BRACKET,
ONE (1) VERTICAL BRACKET ASSEMBLY,
ONE (1) "L" BRACKET ASSEMBLY,
THREE (3) 5/16 HELICAL SPRING LOCKWASHERS,
THREE (3) 5/16-18x3/4 HEX HEAD CAP SCREWS,
ONE (1) 1/4-20 T-BOLT,
ONE (1) 1/4-20 HEX KEPS LOCK NUT
- FINISH COLOR: BLACK (EXCEPT FOR HARDWARE)
- DIMENSIONS IN PARENTHESES ARE IN METRIC.



ENG. REF.: D37797EG_DC_FR12ALB_01.prt

CAD FILENAME/LAYERS

B FR12ALB.pdf

PANDUIT CORP TINLEY PARK, ILLINOIS
FIBERRUNNER 12x4 QUIKLOCK ADJUSTABLE LADDER RACK BRACKET (FR12ALB)
 CUSTOMER DRAWING

UNLESS OTHERWISE SPECIFIED, DIMENSIONAL TOLERANCES ARE:
 (.X) ± (.XXX) ±
 (.XX) ± .03 (.8) ANGLES ±

UNLESS OTHERWISE SPECIFIED, ALL DIMENSIONS ARE GIVEN IN INCHES, THIRD ANGLE PROJECTION.

DRAWN BY: JHNU

MAT'L:

DATE: 4-26-01

STEEL

SCALE: NONE

DRAWING NO.

37797-93

DWG

A

SIZE

REV	DATE	BY	CHK	DESCRIPTION	ECN	R	CUST	SUP	GMBH
-	-----	---	--	G. ADDED LOCAL NOTES.	-----	--	--		
-	-----	---	--	F. REVISED GENERAL NOTES. E. REVISED PART WEIGHT.	-----	--	--		
-	-----	---	--	D. REVISED MATERIAL. C. REVISED DRAWING TITLE.	-----	--	--		
1	1-5-07	MSO	RN	B. REVISED CAD FILENAME. A. REVISED AND REDRAWN.	37797-93	RN	RN		

CHK'D: CVV

