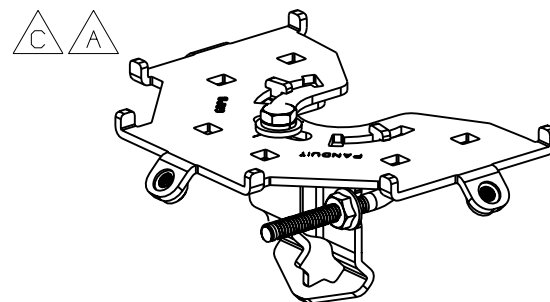
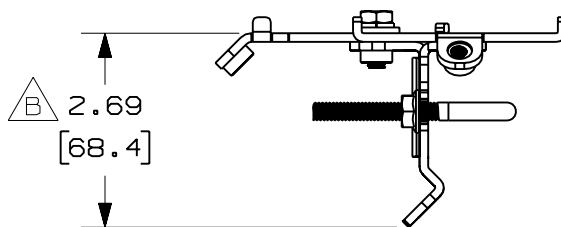
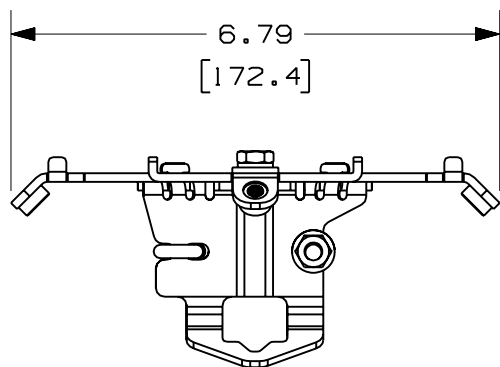
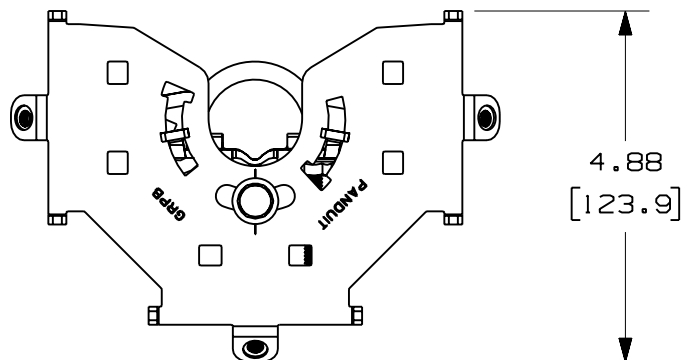


THIS COPY IS PROVIDED ON A RESTRICTED BASIS AND IS NOT TO BE USED IN ANY WAY DETRIMENTAL TO THE INTERESTS OF PANDUIT CORP.



PANDUIT PART NUMBER	WEIGHT
GRPBPG	0.91 LB/EA (413g/EA)



**NOTES:**

1. SEE CURRENT CATALOG FOR ADDITIONAL PART SUFFIXES TO INDICATE PACKAGE QUANTITY.
2. THE GRIDRUNNER PEDESTAL BRACKET IS USED TO SUPPORT THE GRIDRUNNER UNDERFLOOR CABLE ROUTING SYSTEM FROM 1" (25.4) DIAMETER ROUND OR 7/8" (22.2) SQUARE TUBE RAISED FLOOR PEDESTALS.
3. THE TOP ASSEMBLY OF THE GRIDRUNNER PEDESTAL BRACKET HAS BEEN DESIGNED TO ROTATE 22 1/2° FROM CENTER IN EITHER DIRECTION TO ACCOMMODATE ANY RAISED FLOOR PEDESTAL POSITION.
4. DIMENSIONS IN PARENTHESES ARE IN METRIC.

ENG. REF.: D39065JX\_DC/02 GRPB

CAD FILENAME/LAYERS		GRPBPG.pdf	
<h1>PANDUIT</h1> CORP TINLEY PARK, ILLINOIS <b>GRIDRUNNER PEDESTAL BRACKET</b> (GRPBPG) CUSTOMER DRAWING			
UNLESS OTHERWISE SPECIFIED, DIMENSIONAL TOLERANCES ARE:		UNLESS OTHERWISE SPECIFIED, ALL DIMENSIONS ARE GIVEN IN INCHES, THIRD ANGLE PROJECTION.	
(.X) ± .05 (1.3) (.XX) ± .05 (1.3)		(.XXX) ± .05 (1.3) ANGLES ±	
DRAWN BY	MAT'L:	SCALE	NONE
MSO	PRE-GALVANIZED STEEL	DRAWING NO.	39065-71
DATE		DWG	A
10-30-07		SIZE	A
CHK'D			
SABR			

REV	DATE	BY	CHK	DESCRIPTION	ECN	R	CUST	SUP	GMBH
2	10-31-08	MSO	SL	D. REVISED PART WEIGHT. C. REVISED PART GEOMETRY.	39065-71	RN	RN		
1	11-29-07	MSO	SABR	B. REVISED DIMENSION. A. REVISED PART GEOMETRY.	39065-71	RN	RN		
R	10-30-07	MSO	SABR	RELEASED TO PRODUCTION	39065-71	RN	RN		