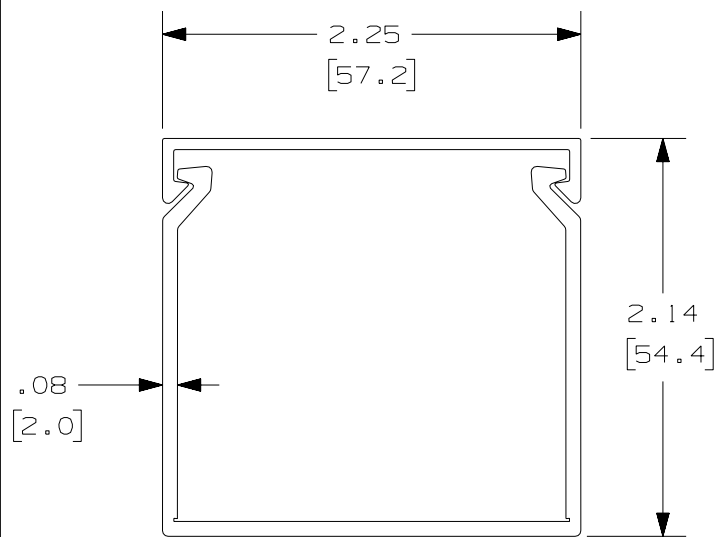
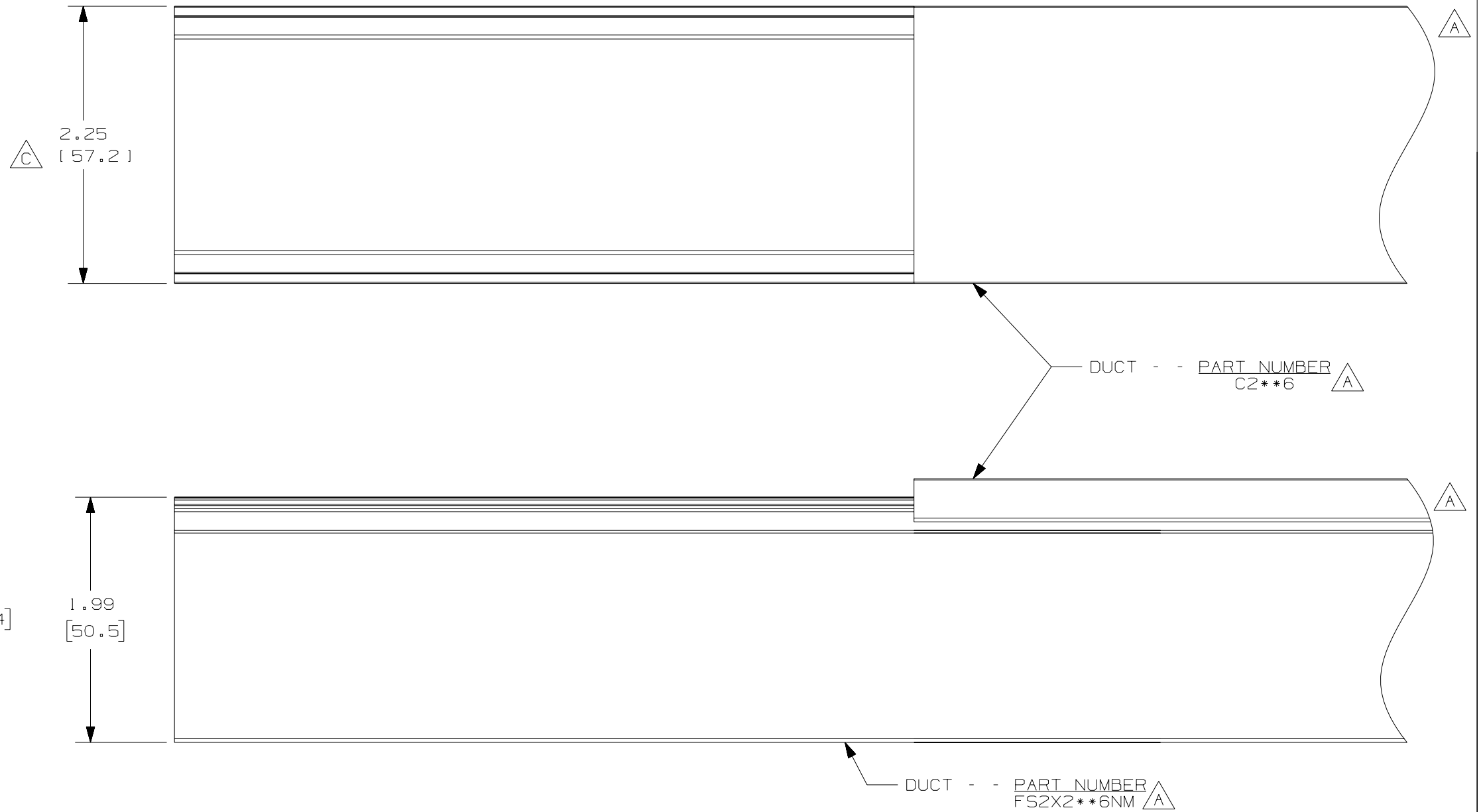


THIS COPY IS PROVIDED ON A RESTRICTED BASIS AND IS NOT TO BE USED IN ANY WAY DETRIMENTAL TO THE INTERESTS OF PANDUIT CORP.



△ △

NOTE.

1. ALL DIMENSIONS ARE REFERENCE ONLY.
2. DIMENSIONS IN PARENTHESES ARE METRIC.
3. THE ** DENOTE COLOR.
4. DUCT AND COVER ARE AVAILABLE IN 6 FT [1828.8] LENGTHS.

REV	DATE	BY	CHK	DESCRIPTION	DRAWN BY	DATE	CHECKED BY	MAT'L:	SCALE	DRAWING NO.	DWG SIZE
--	-----	---	---	E. ADDED LENGTH NOTE							
2	8-6-07	JCST	MKBE	D. DELETED DIMENSION C. ADDED DIMENSION	JHNU	10-2-03	JGG	PVC	FULL	36897-898	B
1	10-20-05	JCST	MKBE	B. CHANGED DRAWING SIZE A. ADDED SIDE & TOP VIEWS, LABELS, AND NOTE	JHNU	10-2-03	JGG				
R	10-2-03	JHNU	JGG	DRAWING RELEASED							

CAD FILENAME/LAYERS: D11000FF_DC_02B

PANDUIT CORP., TINLEY PARK, ILLINOIS

WIRING DUCT - TYPE FS WITH COVER
2 X 2
MARKETING DRAWING

DRAWN BY: JHNU
DATE: 10-2-03
CHECKED BY: JGG

MAT'L: PVC

SCALE: FULL

DRAWING NO.: 36897-898
DWG SIZE: B