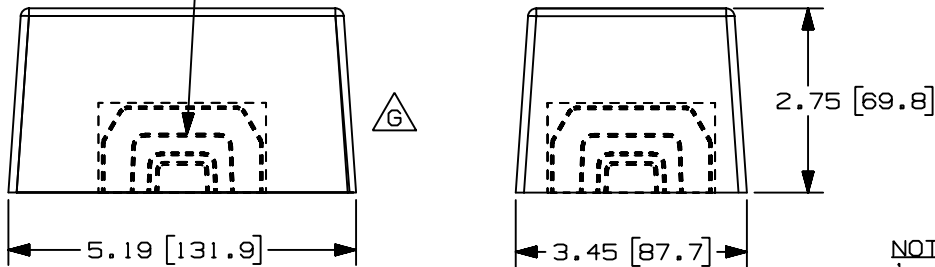


THIS COPY IS PROVIDED ON A RESTRICTED BASIS AND IS NOT TO BE USED IN ANY WAY DETRIMENTAL TO THE INTERESTS OF PANDUIT CORP.

E LD STYLE BREAKOUTS ON EACH OF THE FOUR SIDE WALLS.

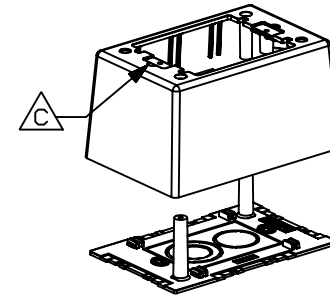
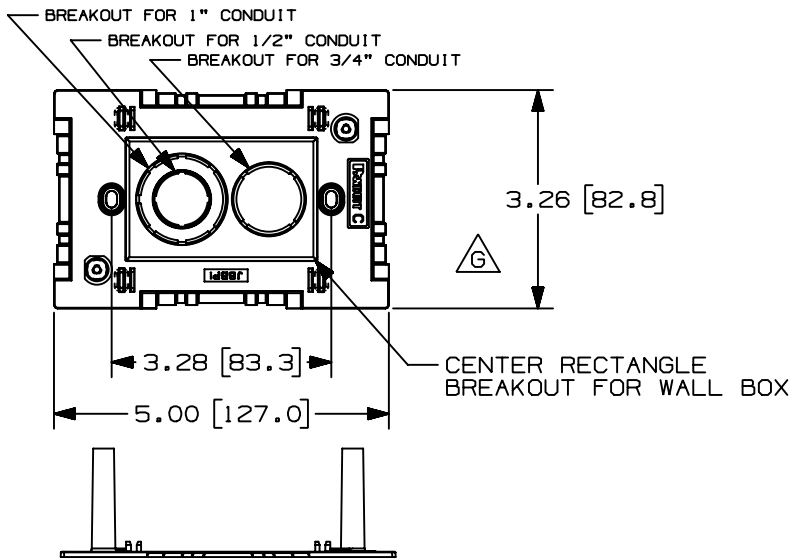


PANDUIT PART NO.	WEIGHT
JBP1D	2.8 LB/10 PCS (1271 g/10 PCS)

B

NOTES:

- SEE CURRENT CATALOG FOR ADDITIONAL PART NUMBER SUFFIXES TO INDICATE COLOR AND/OR PACKAGE QUANTITY.
- THIS PRODUCT IS INTENDED TO BE USED WITH PANDUIT TYPE LDS, LDP, LD, CD, PD, AND T45 RACEWAYS.
- DIMENSIONS IN PARENTHESIS ARE IN METRIC.
- THIS BOX CAN BE USED WITH AN OPTIONAL DIVIDER, PART NO. JBD1.



CAD FILENAME/LAYERS D35541CQ_JBP1D_C_03.PRT (1)

PANDUIT CORP. TINLEY PARK, ILLINOIS
POWER JUNCTION BOX - DEEP (JBP1D)
CUSTOMER DRAWING

REV	DATE	BY	CHK	DESCRIPTION	ECN	CHK	CUST	SUP
3	01-12-00	JHNU	HIW	G. REVISED GEOMETRY FOR T45 BREAKOUT F. ADDED T45 TO NOTE 2	35541-43	HIW	HIW	
2	03-23-99	DW	HIW	D. MAT'L WAS ABS/PC.; E. CORRECTED BREAKOUTS B. REV'D PART WEIGHT.; C. REV'D FEATURE, NOTED	35541-43	HIW	HIW	
1	05-22-98	DW	HIW	A. NOTE 4 PART NO. WAS JB1	35541-43	HIW	HIW	
R	09-26-96	PM	CEF	RELEASED TO PRODUCTION	35541-43	CEF		

UNLESS OTHERWISE SPECIFIED, DIMENSIONAL TOLERANCES ARE: (.X) ± (.XXX) ± .010(.3) (.XX) ± .03(.8) ANGLES ±		UNLESS OTHERWISE SPECIFIED, ALL DIMENSIONS ARE GIVEN IN INCHES, THIRD ANGLE PROJECTION.	
DRAWN BY PM	MAT'L: PVC	SCALE NONE	
DATE 09-26-96	D	DRAWING NO. 35541-43	DWG A
CHECKED BY CEF			SIZE