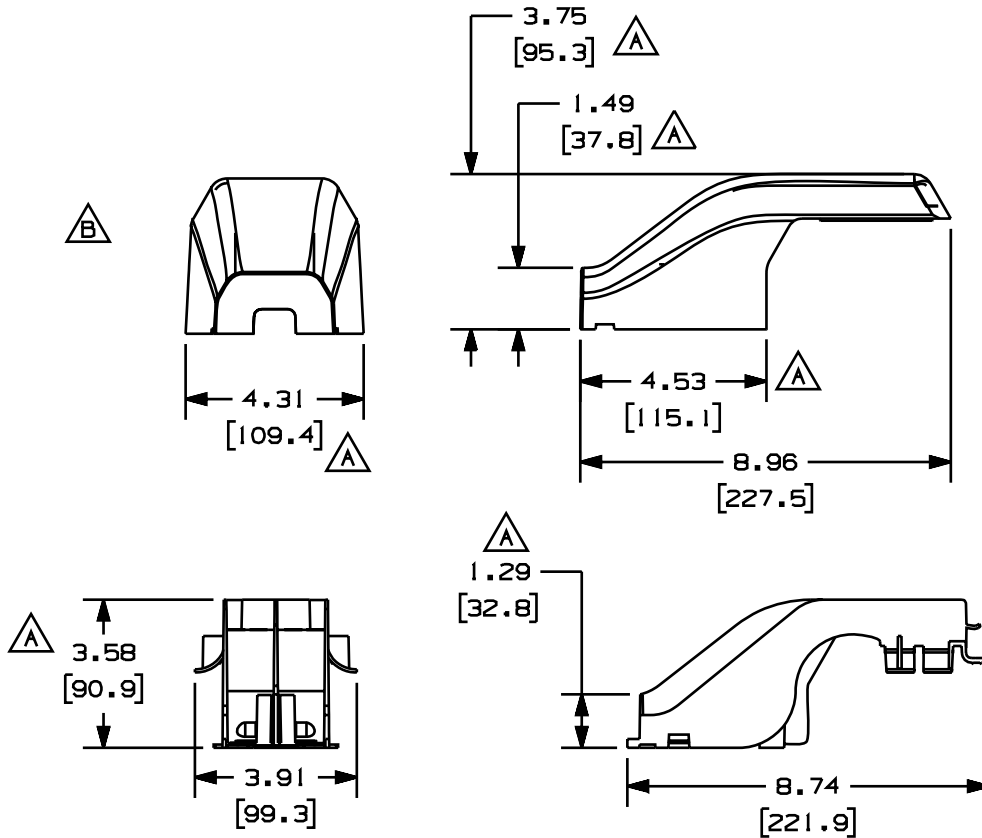


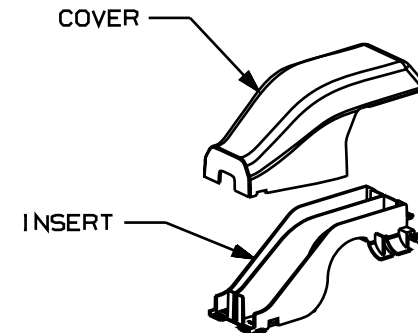
THIS COPY IS PROVIDED ON A RESTRICTED BASIS AND IS NOT TO BE USED IN ANY WAY DETRIMENTAL TO THE INTERESTS OF PANDUIT CORP.



PANDUIT PART NO.	WEIGHT
TGTR	.67 LB/ EACH [308 g/ EACH] ^C

NOTES:

1. SEE CURRENT CATALOG FOR ADDITIONAL PART NUMBER SUFFIXES TO INDICATE COLOR AND/OR PACKAGE QUANTITY.
2. THIS PRODUCT IS INTENDED TO BE USED WITH PANDUIT TYPE TG RACEWAY.
3. DIMENSIONS IN PARENTHESIS ARE METRIC.



CAD FILENAME/LAYERS D37270ED_DC_TGTR_01A.PRT

PANDUIT CORP., TINLEY PARK, ILLINOIS
 TG TRANSITION FITTING (TGTR)
 CUSTOMER DRAWING

UNLESS OTHERWISE SPECIFIED, DIMENSIONAL TOLERANCES ARE:
 (.X) : (.XXX) :
 (.XX) : .03 | .8 | ANGLES :



UNLESS OTHERWISE SPECIFIED, ALL DIMENSIONS ARE GIVEN IN INCHES, THIRD ANGLE PROJECTION.

REV	DATE	BY	CHK	DESCRIPTION	ECN	R	CUST	SUP
I	5-18-01	REWE	HIW	D. REMOVED AND REVISED TOLERANCES C. REVISED WEIGHT QUANTITY				
R	4/14/00	JHN/JCRO		B. REMOVED DIMENSION A. REVISED DIMENSION RELEASED TO PRODUCTION	37270-70		HIW	HIW

DRAWN BY JHN/JCRO
 DATE 4/14/00
 DWT/D

MAT'L: SEE NOTES ABOVE

SCALE NONE
 DRAWING NO. 37270-70
 DWG SIZE A