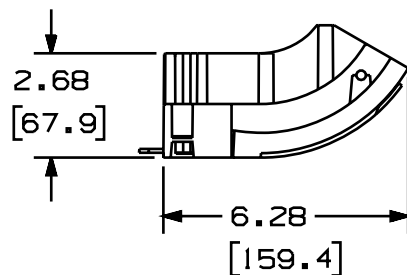
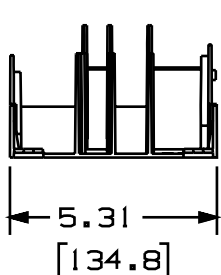
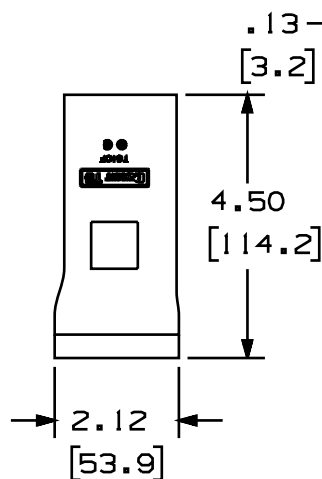
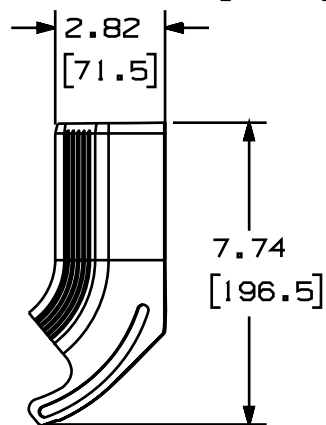
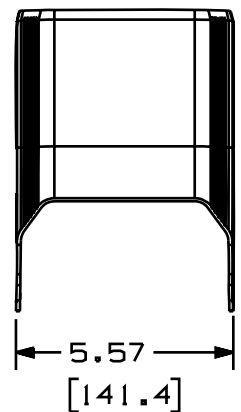
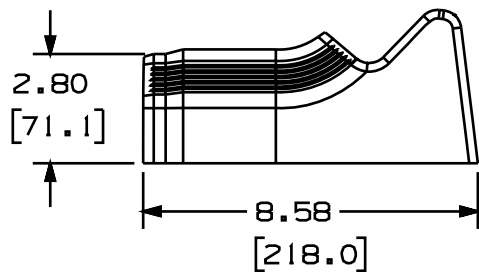
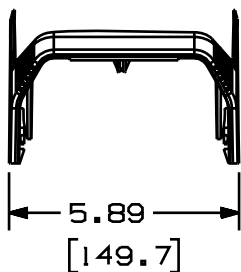


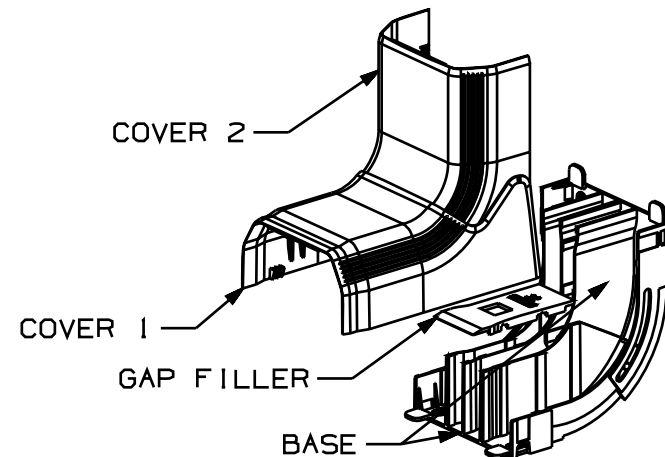
THIS COPY IS PROVIDED ON A RESTRICTED BASIS AND IS NOT TO BE USED IN ANY WAY DETRIMENTAL TO THE INTERESTS OF PANDUIT CORP.



PANDUIT P/N	WEIGHT
TGIC	14.72 LB/10 PCS. (6680g/10 PCS.)

NOTES:

1. SEE CURRENT CATALOG FOR ADDITIONAL PART SUFFIXES TO INDICATE COLOR AND OR PACKAGE QUANTITY.
2. THE GAP FILLER IS REQUIRED TO ENSURE COMPLETE CHANNEL SEPERATION UNDER COVER #1.
3. THE TGIC IS DESIGNED FOR USE WITH TG RACEWAY AND CAN CONFORM TO ANY INSIDE CORNER MEASURING 83° - 135°.
4. DIMENSIONS IN PARENTHESIS ARE IN METRIC.



CAD FILENAME/LAYERS D37270CL_DC_TGIC_00A.prt

PANDUIT CORP. TINLEY PARK, ILLINOIS
TG INSIDE CORNER (TGIC)
 CUSTOMER DRAWING

UNLESS OTHERWISE SPECIFIED, DIMENSIONAL TOLERANCES ARE:
 (.X) ± (.XXX) ± .010(.3)
 (.XX) ± .03(.8) ANGLES ±

UNLESS OTHERWISE SPECIFIED, ALL DIMENSIONS ARE GIVEN IN INCHES, THIRD ANGLE PROJECTION.

DRAWN BY MSO	MAT'L: PVC	SCALE NONE
DATE 4-12-00	DRAWING NO. 37270-67	DWG A
CHECKED BY KJF	SIZE A	

REV	DATE	BY	CHK	DESCRIPTION	ECN	CHK	CUST	SUP
R	4-12-00	MSO	KJF	RELEASED TO PRODUCTION.	37270-67	HIW	HIW	