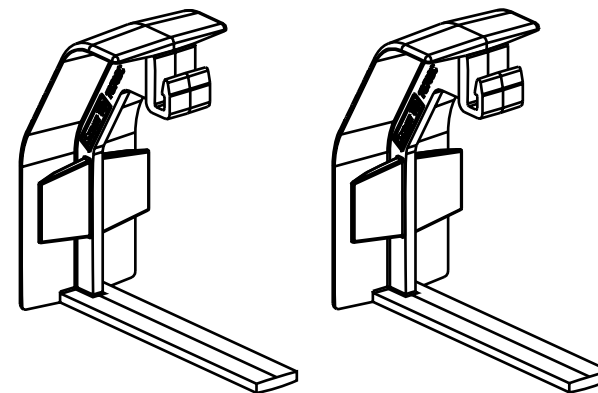
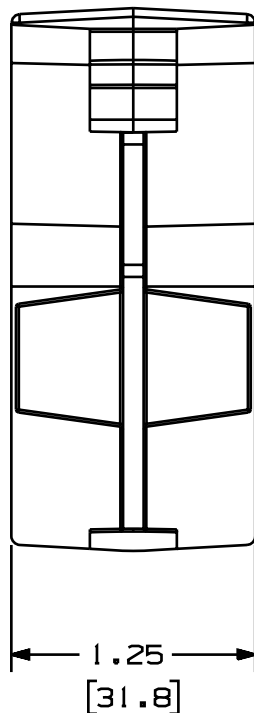
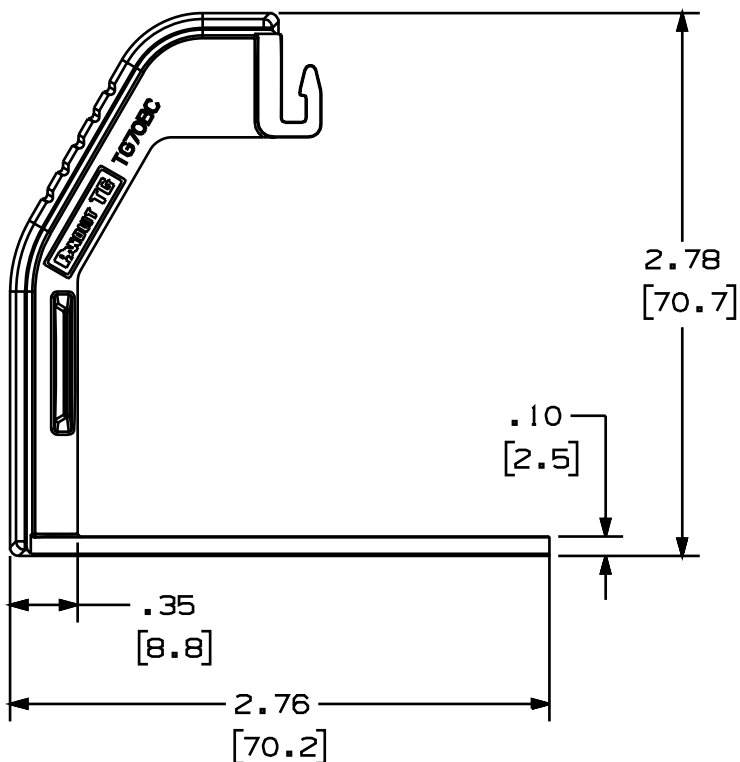


THIS COPY IS PROVIDED ON A RESTRICTED BASIS AND IS NOT TO BE USED IN ANY WAY DETRIMENTAL TO THE INTERESTS OF PANDUIT CORP.

PANDUIT P/N	WEIGHT
TG70BC	0.36 LB/10 PCS. (165g/10 PCS.)

NOTES:

1. SEE CURRENT CATALOG FOR ADDITIONAL PART SUFFIXES TO INDICATE COLOR AND OR PACKAGE QUANTITY.
2. THIS PRODUCT IS INTENDED TO BE USED WITH PANDUIT TG-70 RACEWAY.
3. DIMENSIONS IN PARENTHESIS ARE IN METRIC.
4. TG70BC CONSISTS OF (2) TG70BC HALVES.



CAD FILENAME/LAYERS D37270BM_DC_TG70BC_00A.prt

PANDUIT CORP. TINLEY PARK, ILLINOIS
TG-70 BASE COUPLER (TG70BC)
 CUSTOMER DRAWING

UNLESS OTHERWISE SPECIFIED,
 DIMENSIONAL TOLERANCES ARE:
 (.X) ± (.XXX) ±
 (.XX) ± ANGLES ±

UNLESS OTHERWISE SPECIFIED,
 ALL DIMENSIONS ARE GIVEN
 IN INCHES, THIRD ANGLE PROJECTION.

DRAWN BY MSO
 DATE 3-15-00
 CHECKED BY CAZ

MAT'L: PVC

SCALE NONE

DRAWING NO. 37270-45

DWG SIZE A

REV	DATE	BY	CHK	DESCRIPTION	ECN	CHK	CUST	SUP
R	3-15-00	MSO	CAZ	RELEASED TO PRODUCTION	37270-45	HIW	HIW	