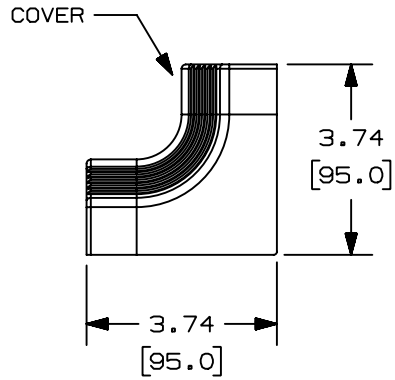
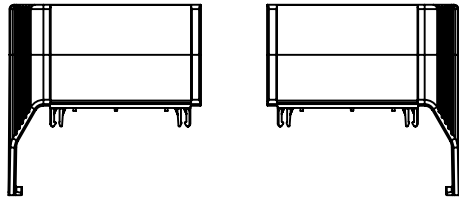


THIS COPY IS PROVIDED ON A RESTRICTED BASIS AND IS NOT TO BE USED IN ANY WAY DETRIMENTAL TO THE INTERESTS OF PANDUIT CORP.

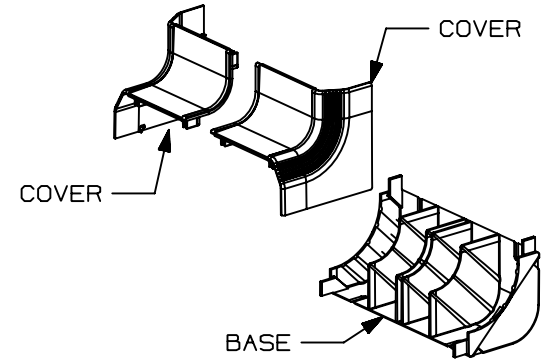
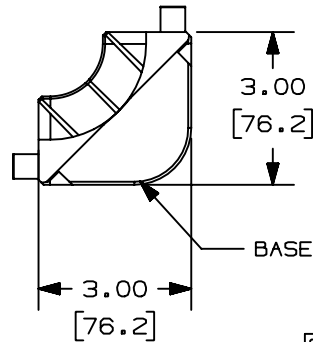
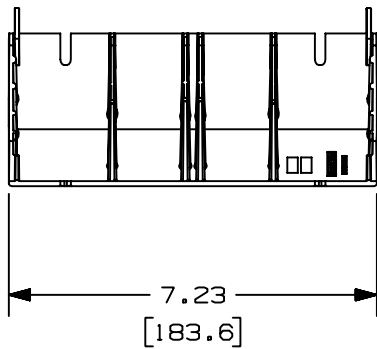


| PANDUIT P/N | WEIGHT |
|-------------|---------------------------------|
| T7021C | 3.2 LB/10 PCS (1489g/10 PCS) |



NOTES:

1. SEE CURRENT CATALOG FOR ADDITIONAL PART SUFFIXES TO INDICATE COLOR AND OR PACKAGE QUANTITY.
2. THIS PRODUCT IS FEATURED WITH THE TIA/EIA COMPLIANT BEND RADIUS.
3. DIVIDERS FOR MAINTAINING POWER AND DATA ENTRY SEPARATION.
4. COVER IS EXTENDED OUT AND DOWN AROUND SIDES OF BASE WHEN ASSEMBLED.
5. DIMENSIONS IN PARENTHESES ARE IN METRIC.



CAD FILENAME/LAYERS D34866EA_DC_T7021C_00

PANDUIT CORP. TINLEY PARK, ILLINOIS
TWIN-70 INSIDE CORNER (T7021C)
CUSTOMER DRAWING

UNLESS OTHERWISE SPECIFIED, DIMENSIONAL TOLERANCES ARE:
(.X) ± (.XXX) ±
(.XX) ±.03(.8) ANGLES ±

UNLESS OTHERWISE SPECIFIED, ALL DIMENSIONS ARE GIVEN IN INCHES, THIRD ANGLE PROJECTION.

| REV | DATE | BY | CHK | DESCRIPTION | ECN | CHK | CUST | SUP |
|-----|----------|----|-----|---------------------------------|----------|-----|------|-----|
| I | 07-29-99 | DW | HIW | A. REVISED MATERIAL AND WEIGHT. | 34866-89 | HIW | HIW | |
| R | 04-06-98 | DW | HIW | RELEASED TO PRODUCTION. | 34866-89 | HIW | HIW | |

| | |
|-------------------|------------------|
| DRAWN BY DW | MAT'L: ABS/PC |
| DATE 04-05-98 | |
| CHECKED BY HIW | |

| | |
|-------------------------|-----------|
| SCALE NONE | DWG A |
| DRAWING NO. 34866-89 | SIZE A |