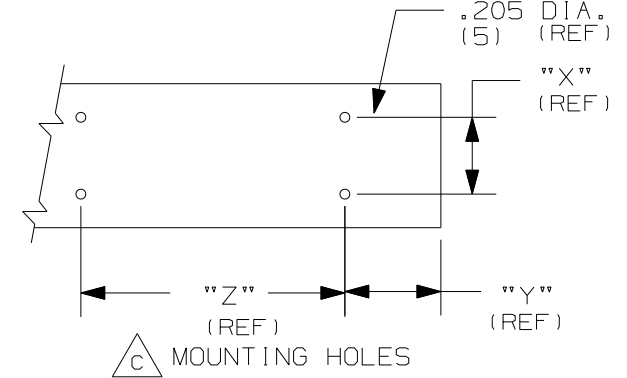


THIS COPY IS PROVIDED ON A RESTRICTED BASIS AND IS NOT TO BE USED IN ANY WAY DETRIMENTAL TO THE INTERESTS OF PANDUIT CORP.

| PANDUIT P/N SEE NOTE #1 | LENGTH/TOLERANCE | WEIGHT | MOUNTING HOLE DIM'S | | |
|----------------------------|--|---------------------------------------|---------------------|---------------|----------------|
| | | | "X" (80.5) | "Y" (102) | "Z" (33.4) |
| T702B**8 | 96.00 IN ±.13 IN (2438 mm ±3.3 mm) | 8.0 LB/96 IN. (3636 g/2438 mm) | 3.17 (80.5) | 4.00 (102) | 8.00 (33.4) |
| T702B**10 | 120.00 IN ±.13 IN (3048 mm ±3.3 mm) | 10.0 LB/120 IN. (4550 g/3048 mm) | 3.17 (80.5) | 4.00 (102) | 8.00 (33.4) |
| T702B**2 | (2000 mm ±3.3 mm) | 6.5 LB/78.74 IN. (2970 g/2000 mm) | 3.17 (80.5) | 3.37 (86) | 8.00 (33.4) |
| T702B**3 | (3000 mm ±3.3 mm) | 9.8 LB/118.11 IN. (4455 g/3000 mm) | 3.17 (80.5) | 3.06 (78) | 8.00 (33.4) |

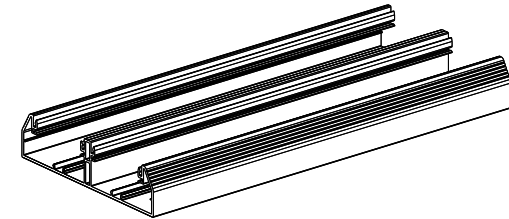
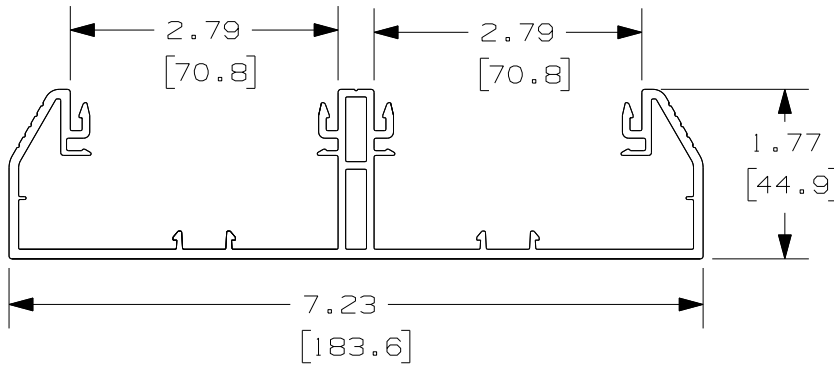


A
A

D NOTES:

1. SEE CURRENT CATALOG FOR ADDITIONAL PART SUFFIXES TO INDICATE COLOR AND OR PACKAGE QUANTITY.
2. THE T702B IS USED WITH THE T70C RACEWAY COVER, 2 FT(610) OF COVER REQUIRED FOR EVERY 1 FT(305) OF BASE)
3. DIMENSIONS IN PARENTHESES ARE IN METRIC.

B



CAD FILENAME/LAYERS D34866DJ_DC_T702BASE_02B

PANDUIT CORP. TINLEY PARK, ILLINOIS

PAN-WAY TWIN-70 RACEWAY SYSTEM
(T702B**8, T702B**10, T702B**2, T702B**3)
CUSTOMER DRAWING

| REV | DATE | BY | CHK | DESCRIPTION | ECN | CHK | CUST | SUP |
|-----|----------|-----|-----|---|----------|-----|------|-----|
| 3 | 10-05-08 | BDK | BKR | D. REVISED NOTES | 34866-63 | RTF | RTF | |
| 2 | 03-12-99 | DW | HIW | C. ADDED MOUNTING HOLE DIMENSIONS AND CHART. | 34866-63 | HIW | HIW | |
| 1 | 10-20-98 | DW | HIW | B. ADDED NOTE 4. A. ADDED 2M AND 3M LENGTHS AND WEIGHTS. | 34866-63 | HIW | HIW | |
| R | 02-03-98 | DW | HIW | RELEASED TO PRODUCTION. | 34866-63 | HIW | HIW | |

| | | | |
|---|-------------------|---|------------------|
| UNLESS OTHERWISE SPECIFIED, DIMENSIONAL TOLERANCES ARE: (.X) ± (.XXX) ± (.XX) ±.03(.8) ANGLES ± | | UNLESS OTHERWISE SPECIFIED, ALL DIMENSIONS ARE GIVEN IN INCHES, THIRD ANGLE PROJECTION. | |
| DRAWN BY DW | MAT'L: PVC | SCALE NONE | |
| DATE 2-3-98 | CHECKED BY HIW | DRAWING NO. 34866-63 | DWG A SIZE |