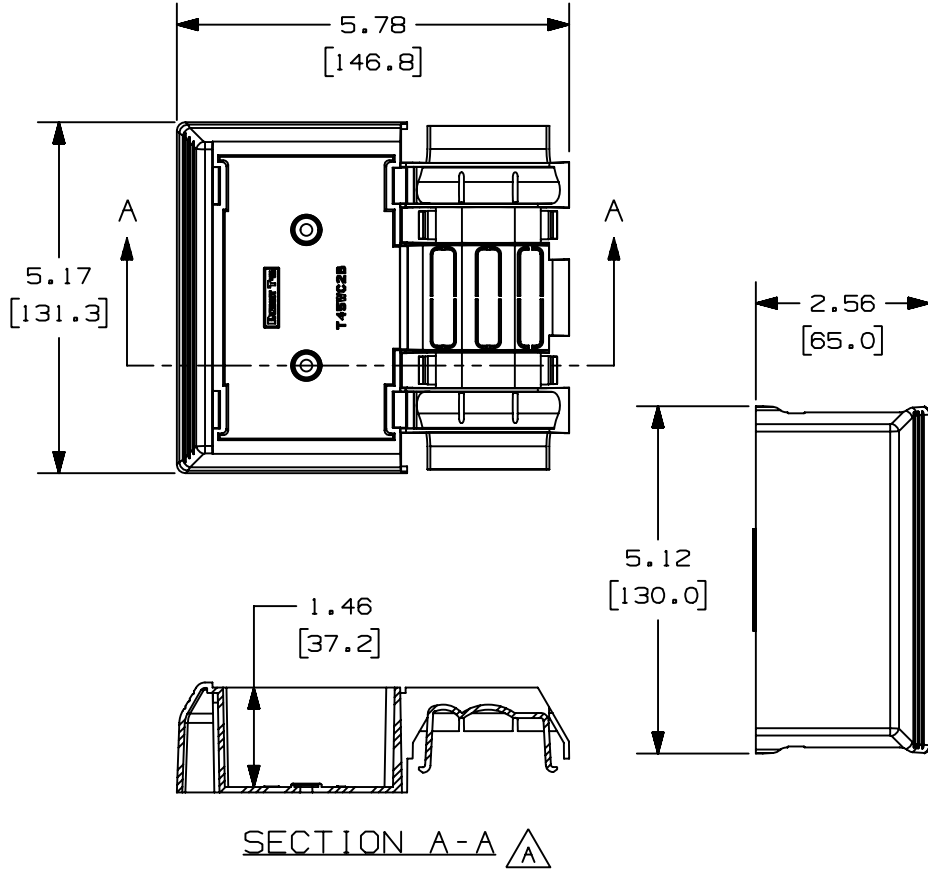
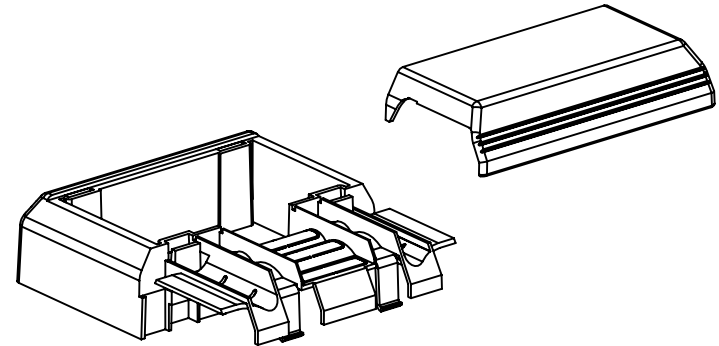


THIS COPY IS PROVIDED ON A RESTRICTED BASIS AND IS NOT TO BE USED IN ANY WAY DETRIMENTAL TO THE INTERESTS OF PANDUIT CORP.



PANDUIT P/N	WEIGHT
T45WC2	3.42 LB/10 PCS (1554 g/10 PCS)

- NOTES:
- SEE CURRENT CATALOG FOR ADDITIONAL PART SUFFIXES TO INDICATE COLOR AND OR PACKAGE QUANTITY.
  - ACCEPTS PANDUIT SNAP-ON TYPE FACEPLATES.
  - DIMENSIONS IN PARENTHESES ARE IN METRIC.



CAD FILENAME/LAYERS D36975EK\_DC\_T45WC2\_00B.prt

**PANDUIT** CORP. TINLEY PARK, ILLINOIS  
**T-45 WORKSTATION OUTLET CENTER (T45WC2)**  
 CUSTOMER DRAWING

UNLESS OTHERWISE SPECIFIED,  
 DIMENSIONAL TOLERANCES ARE:  
 (.X) ± (.XXX) ±  
 (.XX) ±.03 (.8) ANGLES ±

UNLESS OTHERWISE SPECIFIED,  
 ALL DIMENSIONS ARE GIVEN  
 IN INCHES, THIRD ANGLE PROJECTION.

REV	DATE	BY	CHK	DESCRIPTION	ECN	CHK	CUST	SUP
I	07-20-00	MSO	BKR	A. ADDED SECTION A-A TO SHOW INSIDE DEPTH OF W.O.C.	36975-73	HIW	HIW	
R	11-30-99	RABO	HIW	RELEASED TO PRODUCTION	36975-73	HIW	HIW	

DRAWN BY  
RABO  
 DATE  
11-30-99  
 CHECKED BY  
HIW

MAT'L:  
PVC

SCALE  
NONE  
 DRAWING NO.  
36975-73  
 DWG  
A  
 SIZE