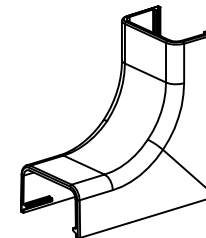
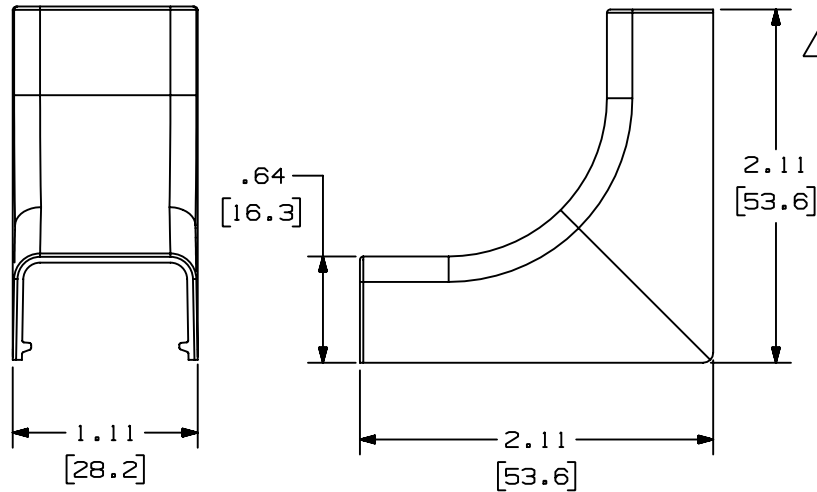


THIS COPY IS PROVIDED ON A RESTRICTED BASIS AND IS NOT TO BE USED IN ANY WAY DETRIMENTAL TO THE INTERESTS OF PANDUIT CORP.

PANDUIT PART NO.	WEIGHT
ICFC5	1.8 LB/100 PCS (841 g/100 PCS)

NOTES:

1. SEE CURRENT CATALOG FOR ADDITIONAL PART NUMBER SUFFIXES TO INDICATE COLOR AND OR PACKAGE QUANTITY.
2. THIS PRODUCT IS INTENDED TO BE USED WITH PANDUIT TYPE LD5 RACEWAY.
3. NOMINAL WALL THICKNESSES: .055 [1.4].
4. THIS PRODUCT IS FEATURED WITH THE TIA/EIA COMPLIANT BEND RADIUS.
5. DIMENSIONS IN PARENTHESIS ARE IN METRIC.



CAD FILENAME/LAYERS D35012BC_LD_ICFC5_03.PRT

PANDUIT CORP. TINLEY PARK, ILLINOIS
INSIDE CORNER FITTING COVER (ICFC5)
CUSTOMER DRAWING

REV	DATE	BY	CHK	DESCRIPTION	ECN	CHK	CUST	SUP
3	03-15-04	JHEP	RMHI	B. REMOVED CD5 FROM NOTE 2	35012-03	RGRO	RGRO	
2	07-02-02	JHNU	RMHI	A. REVISED MATERIAL IN DRAWING TITLE BLOCK	35012-03	RGRO	RGRO	
1	05-17-99	DW	HIW	REVISED GEOMETRY TO SHOW 2D VIEWS.	35012-03	HIW	HIW	
R	11-10-95	DW	CEF	RELEASED TO PRODUCTION	35012-03	CEF	CEF	

UNLESS OTHERWISE SPECIFIED, DIMENSIONAL TOLERANCES ARE: (.X) ± (.XXX) ±.015 [.4] (.XX) ±.03 [.8] ANGLES ±		UNLESS OTHERWISE SPECIFIED, ALL DIMENSIONS ARE GIVEN IN INCHES, THIRD ANGLE PROJECTION.	
DRAWN BY DW	MAT'L: ABS	SCALE NONE	
DATE 11-10-95		DRAWING NO. 35012-03	DWG SIZE A
CHECKED BY CEF			