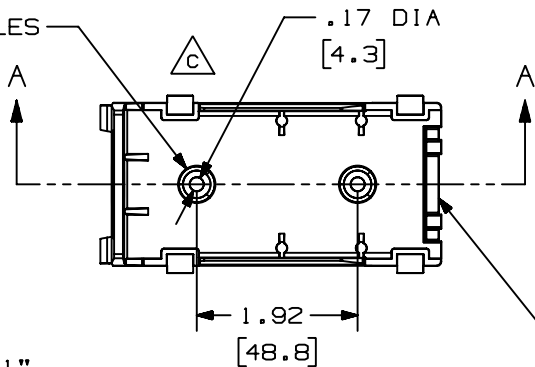


THIS COPY IS PROVIDED ON A RESTRICTED BASIS AND IS NOT TO BE USED IN ANY WAY DETRIMENTAL TO THE INTERESTS OF PANDUIT CORP.

PANDUIT P/N	WEIGHT
DCEFX-X	18.7 LB/100 PCS (8500g/100 PCS)

MOUNTING HOLES  
(2 PLACES)



A

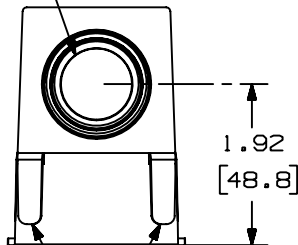
NOTES:

- SEE CURRENT CATALOG FOR ADDITIONAL PART NUMBER SUFFIXES TO INDICATE COLOR AND/OR PACKAGE QUANTITY.
- CAN BE USED WITH VARIOUS TYPES OF PAN-WAY RACEWAYS AND ADAPTERS.
- DIMENSIONS IN PARENTHESES ARE IN METRIC.

B

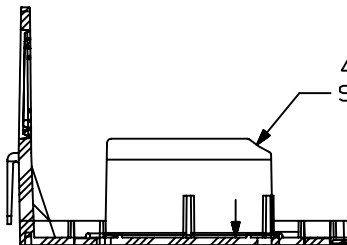
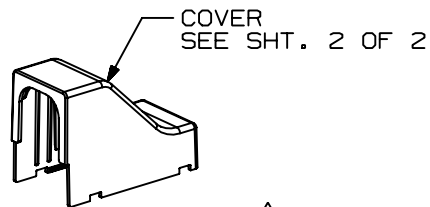
E

KNOCKOUTS FOR  
1/2", 3/4" AND 1"  
CONDUIT ENTRIES



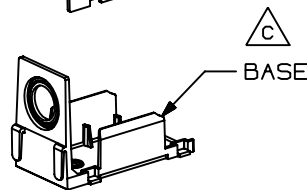
SUSPENDED CEILING  
HOLDING TABS

BREAKOUTS FOR  
RACEWAY ENTRY



SECTION A-A

.090  
[2.3]  
THICKNESS



CAD FILENAME/LAYERS D35542BA\_DCEFX\_03

PANDUIT CORP. TINLEY PARK, ILLINOIS  
DROP CEILING ENTRANCE FITTING  
(DCEFX-X)  
CUSTOMER DRAWING

UNLESS OTHERWISE SPECIFIED,  
DIMENSIONAL TOLERANCES ARE:  
(.X) ± (.XXX) ±.010(.3)  
(.XX) ±.03(.8) ANGLES ±

UNLESS OTHERWISE SPECIFIED,  
ALL DIMENSIONS ARE GIVEN  
IN INCHES, THIRD ANGLE PROJECTION.

DRAWN BY DW

MAT'L:

SCALE

NONE

DATE 3-26-96

PVC

DRAWING NO.

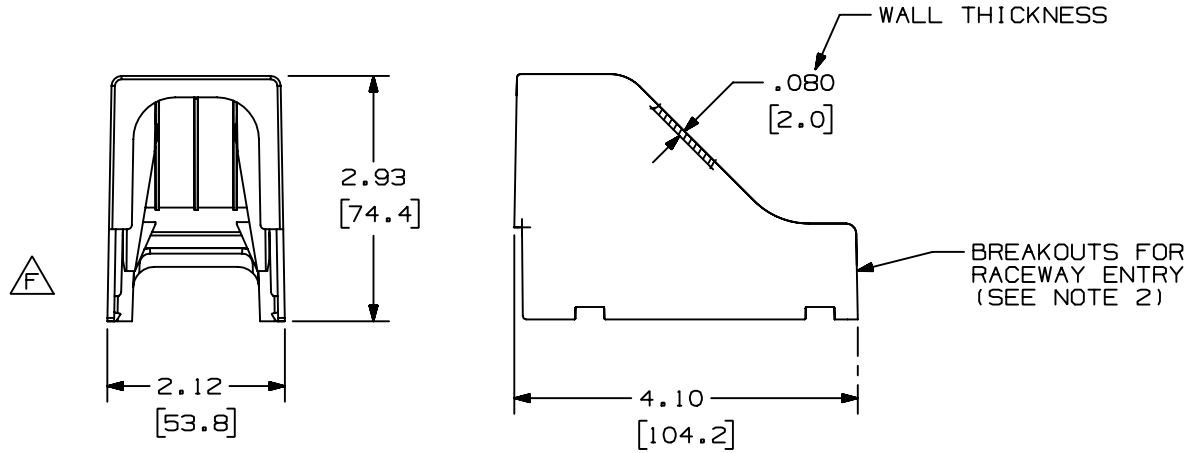
35542-01  
SHT 1 OF 2

DWG

A  
SIZE

REV	DATE	BY	CHK	DESCRIPTION	ECN	CHK	CUST	SUP
3	1-02-97	RCA	CEF	G. ADDED SEE SHEET 1 OF 2 FOR REVISION ON PAGE 2, REV 2.	35542-01	CEF	CEF	
-	-----	--	---	F. REVISED GEOMETRY - ADDED INTERIOR RIBS E. REVISED EDGE RADIUS	-----	---	---	
2	12-17-96	PM	CEF	D. REVISED WEIGHT C. ADDED SUPPORT WALL	35542-01	CEF	CEF	
1	10-16-96	RCA	CEF	B. CHANGED P/N FROM DCEFX-A TO DCEFX-X. A. REMOVED NOTE 3 AND NOTES RELATING TO ADHESIVE.	35542-01	CEF	CEF	
R	3-26-96	DW	CEF	RELEASED TO PRODUCTION.	35542-01	CEF		

THIS COPY IS PROVIDED ON A RESTRICTED BASIS AND IS NOT TO BE USED IN ANY WAY DETRIMENTAL TO THE INTERESTS OF PANDUIT CORP.



△G

CAD FILENAME/LAYERS D35542BA\_DCEFX\_03

**PANDUIT** CORP. TINLEY PARK, ILLINOIS  
 DROP CEILING ENTRANCE FITTING  
 (DCEFX-X)  
 CUSTOMER DRAWING

REV	DATE	BY	CHK	DESCRIPTION	ECN	CHK	CUST	SUP
3	01-02-96	RCA	CEF	FOR REVISIONS SEE SHT 1 OF 2.	35542-01	CEF	CEF	
2	12-17-96	PM	CEF	FOR REVISIONS SEE SHT 1 OF 2.	35542-01	CEF	CEF	
1	10-16-96	RCA	CEF	FOR REVISIONS SEE SHT 1 OF 2.	35542-01	CEF	CEF	
R	03-26-96	DW	CEF	FOR REVISIONS SEE SHT 1 OF 2.	35542-01	CEF	CEF	

UNLESS OTHERWISE SPECIFIED,  
 DIMENSIONAL TOLERANCES ARE:  
 (.X) ± (.XXX) ±.010(.3)  
 (.XX) ±.03(.8) ANGLES ±

UNLESS OTHERWISE SPECIFIED,  
 ALL DIMENSIONS ARE GIVEN  
 IN INCHES, THIRD ANGLE PROJECTION.

DRAWN BY DW  
 DATE 03-26-96  
 CHECKED BY CEF

MAT'L:  
 PVC

SCALE NONE  
 DRAWING NO. 35542-01  
 SHT 2 OF 2  
 DWG SIZE A