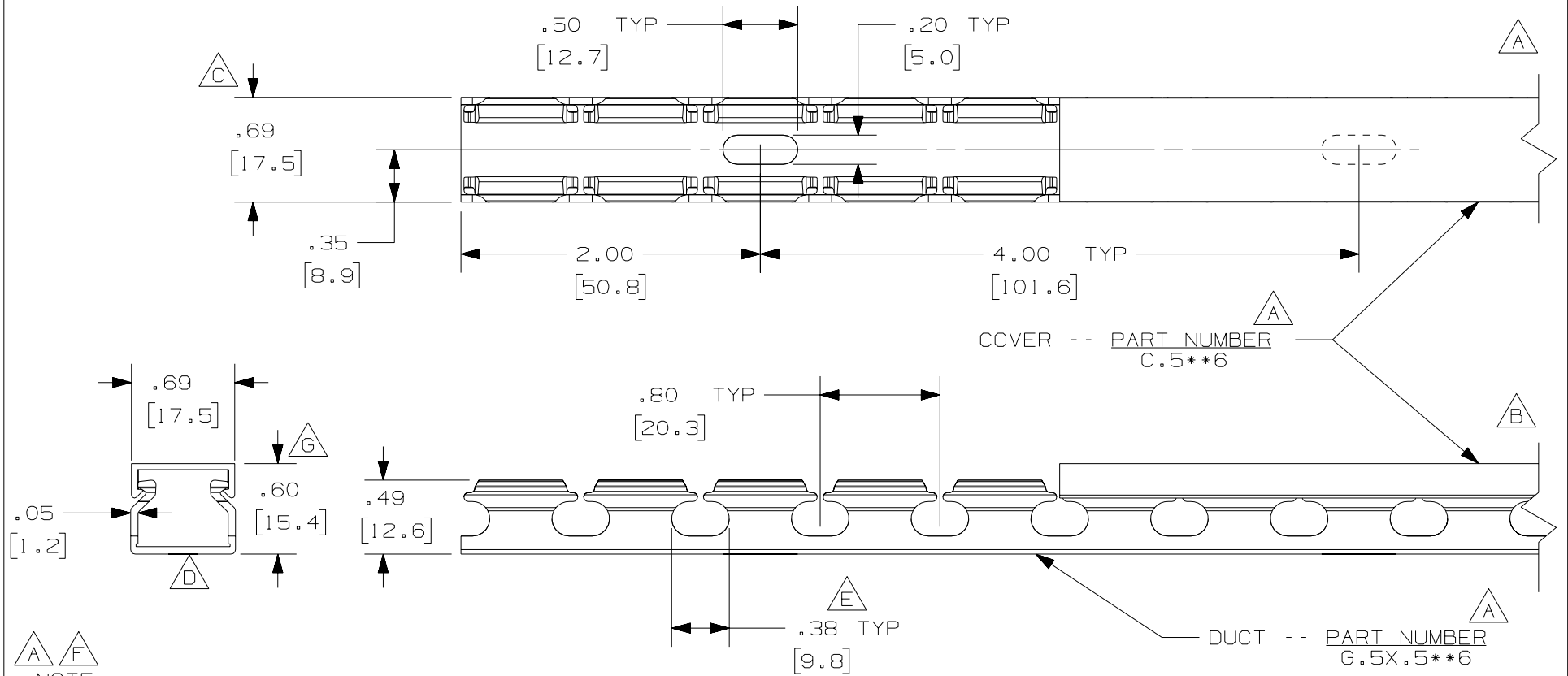


THIS COPY IS PROVIDED ON A RESTRICTED BASIS AND IS NOT TO BE USED IN ANY WAY DETRIMENTAL TO THE INTERESTS OF PANDUIT CORP.



**A** **F**

NOTE.

1. ALL DIMENSIONS ARE REFERENCE ONLY.
2. DIMENSIONS IN PARENTHESES ARE METRIC.
3. THE \*\* DENOTE COLOR.
4. DUCT AND COVER ARE AVAILABLE IN 6 FT [1828.8] LENGTHS

CAD FILENAME/LAYERS D11000PX\_DC\_01A

**PANDUIT** CORP. TINLEY PARK, ILLINOIS  
 WIRING DUCT - TYPE G DUCT WITH COVER  
 .5 X .5  
 MARKETING DRAWING

REV	DATE	BY	CHK	DESCRIPTION
2	7/6/07	JCST	MKB	D. REMOVED DIMENSION C. ADDED DIMENSION
1	4/22/04	JCST	MKB	B. CHANGED VIEW A. ADDED TOP VIEW, LABELS, AND NOTES
R	2/20/03	JCST	JGG	DRAWING RELEASED

DRAWN BY JCST	MAT'L; PVC	SCALE FULL
DATE 2/20/03		DRAWING NO. 36897-688
CHK'D JGG		DWG SIZE A