

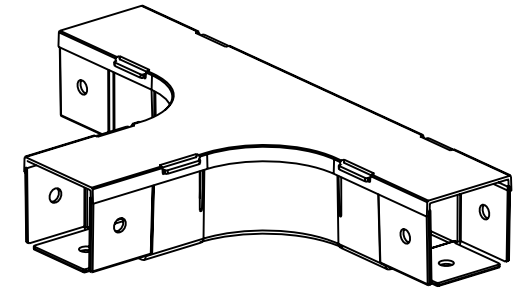
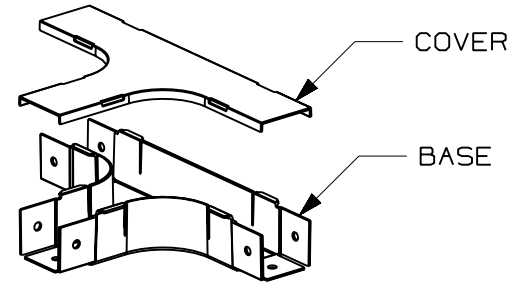
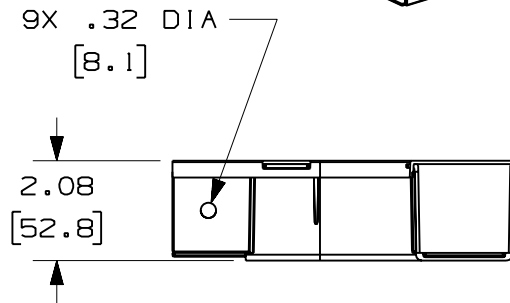
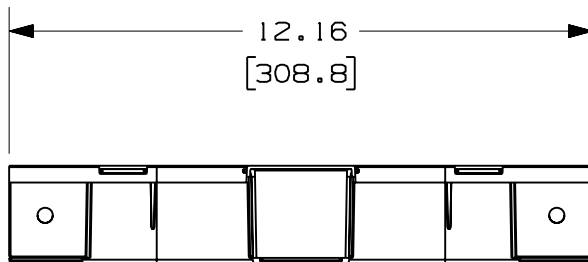
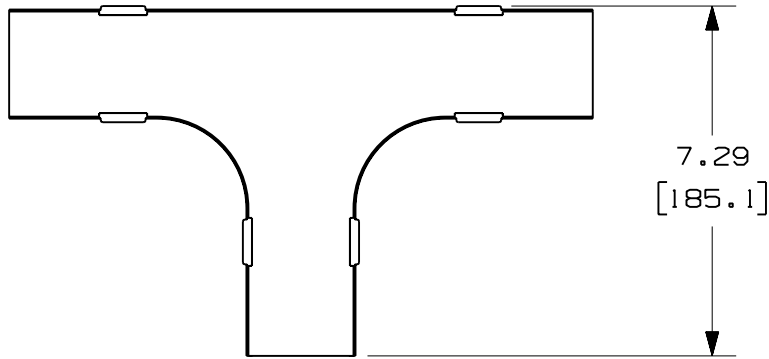


PANDUIT PART NUMBER	WEIGHT
FT2X2	0.45 LB/EACH (206g/EACH)



NOTES:

1. SEE CURRENT CATALOG FOR ADDITIONAL PART SUFFIXES TO INDICATE COLOR AND/OR PACKAGE QUANTITY.
2. THE FIBER-DUCT 2x2 AND FIBERRUNNER 2x2 HORIZONTAL TEE FITTING IS DESIGNED WITH A MINIMUM 2" (50.8) BEND RADIUS TO PROTECT FIBER OPTIC CABLES.
3. DIMENSIONS IN PARENTHESES ARE IN METRIC.



ENG. REF.: D35245C1_DC_FT2X2_04.prt

CAD FILENAME/LAYERS
E FT2X2.pdf

PANDUIT CORP TINLEY PARK, ILLINOIS
FIBER-DUCT 2x2 AND FIBERRUNNER 2x2
HORIZONTAL TEE FITTING (FT2X2)
CUSTOMER DRAWING

UNLESS OTHERWISE SPECIFIED, DIMENSIONAL TOLERANCES ARE: (.X) ± (.XXX) ± (.XX) ± .03 (.8) ANGLES ±		UNLESS OTHERWISE SPECIFIED, ALL DIMENSIONS ARE GIVEN IN INCHES, THIRD ANGLE PROJECTION.	
DRAWN BY JBA	MAT'L: ABS	SCALE NONE	DWG A
DATE 6-17-97	CHK'D HIW	DRAWING NO. 35245-35	SIZE A

REV	DATE	BY	CHK	DESCRIPTION	ECN	R	CUST	SUP	GMBH
-	-----	---	--	I. REVISED GENERAL NOTES. H. REVISED PART WEIGHT.	-----	--	--		
-	-----	---	--	G. REVISED MATERIAL. F. REVISED DRAWING TITLE.	-----	--	--		
4	12-28-06	MSO	RN	E. REVISED CAD FILENAME. D. REVISED AND REDRAWN.	35245-35	RN	RN		