

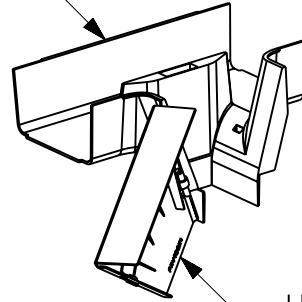
PANDUIT PART NUMBER	WEIGHT
FRVT6X4	2.05 LB/EACH (928g/EACH)



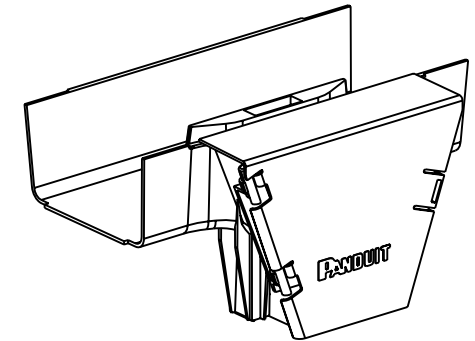
**M** NOTES:

1. SEE CURRENT CATALOG FOR ADDITIONAL PART SUFFIXES TO INDICATE COLOR AND/OR PACKAGE QUANTITY.
2. THE FIBERRUNNER 6x4 QUIKLOCK VERTICAL TEE FITTING INCLUDES:  
ONE (1) QUIKLOCK VERTICAL TEE BASE ASSEMBLY,  
ONE (1) HINGED DOOR
3. DIMENSIONS IN PARENTHESES ARE IN METRIC.

BASE ASSEMBLY



HINGED DOOR



ENG. REF.: D37185ER\_DC\_FRVT6X4\_02.prt

CAD FILENAME/LAYERS

**K** FRVT6X4.pdf

**PANDUIT** CORP TINLEY PARK, ILLINOIS  
**FIBERRUNNER 6x4 QUIKLOCK VERTICAL TEE FITTING (FRVT6X4)**  
 CUSTOMER DRAWING

UNLESS OTHERWISE SPECIFIED,  
 DIMENSIONAL TOLERANCES ARE:

(.X) ± (.XXX) ±  
 (.XX) ± .03 (.8) ANGLES ±

UNLESS OTHERWISE SPECIFIED,  
 ALL DIMENSIONS ARE GIVEN IN  
 INCHES, THIRD ANGLE PROJECTION.

DRAWN BY  
**REWE**  
 DATE  
**5-1-00**  
 CHK'D  
**WAB**

MAT'L:

**ABS**

SCALE  
**NONE**

DRAWING NO. **37185-64** DWG  
**A**  
 SIZE

-	-----	---	---	M. REVISED GENERAL NOTES	-----	--	--			
-	-----	---	---	L. REVISED PART WEIGHT K. REVISED CAD FILENAME	-----	--	--			
4	7-24-06	DTP	RN	J. REVISED DRAWING TITLE I. REVISED AND REDRAWN	37185-64	RN	RN			
REV	DATE	BY	CHK	DESCRIPTION	ECN	R	CUST	SUP	GMBH	