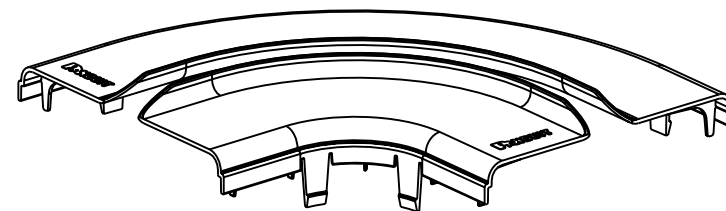
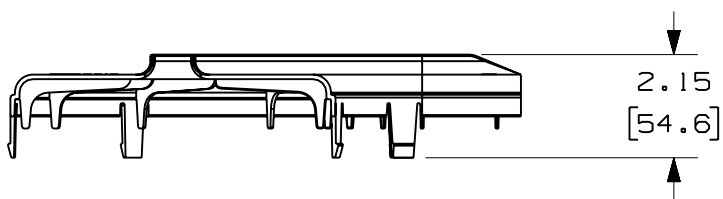
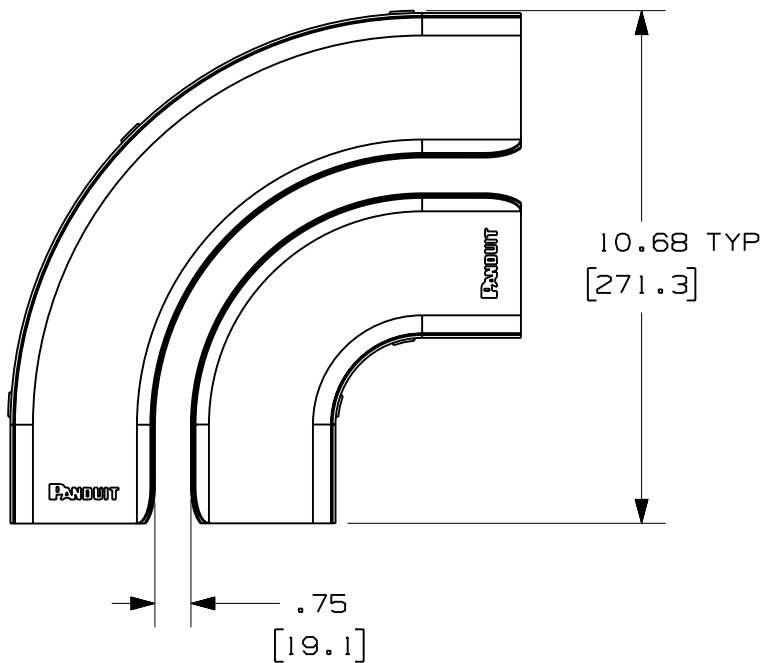


PANDUIT PART NUMBER	WEIGHT
FRRASC6	0.44 LB/EACH (199g/EACH)



G NOTES:

1. SEE CURRENT CATALOG FOR ADDITIONAL PART SUFFIXES TO INDICATE COLOR AND/OR PACKAGE QUANTITY.
2. THE FIBERRUNNER 6x4 HORIZONTAL RIGHT ANGLE SPLIT COVER REQUIRES NO TOOLS FOR INSTALLATION AND/OR REMOVAL. THE SPLIT COVER CREATES A 3/4" (19.1) RADIUS OPENING TO ALLOW FOR NEW CABLES TO BE ADDED WITHOUT THE NEED FOR REMOVING THE COVERS.
3. DIMENSIONS IN PARENTHESES ARE IN METRIC.



ENG. REF.: D37185EU_DC_FRRASC6_01.prt

CAD FILENAME/LAYERS		FRRASC6.pdf	
<h1>PANDUIT</h1> CORP TINLEY PARK, ILLINOIS			
FIBERRUNNER 6x4 HORIZONTAL RIGHT ANGLE SPLIT COVER (FRRASC6) CUSTOMER DRAWING			
UNLESS OTHERWISE SPECIFIED, DIMENSIONAL TOLERANCES ARE:		UNLESS OTHERWISE SPECIFIED, ALL DIMENSIONS ARE GIVEN IN INCHES, THIRD ANGLE PROJECTION.	
(.X) ± (.XXX) ± (.XX) ± .03 (.8) ANGLES ±		NONE	
DRAWN BY	MAT'L:	SCALE	DWG
REWE	ABS	NONE	A
DATE		DRAWING NO.	SIZE
5-4-00		37185-67	A
CHK'D			
HIW			

REV	DATE	BY	CHK	DESCRIPTION	ECN	R	CUST	SUP	GMBH
-	-----	---	---	H. REVISED PART WEIGHT	-----	--	--		
-	-----	---	---	G. REVISED GENERAL NOTES F. REVISED CAD FILENAME	-----	--	--		
2	7-12-06	DTP	RN	E. REVISED DRAWING TITLE D. REVISED AND REDRAWN	37185-67	RN	RN		