

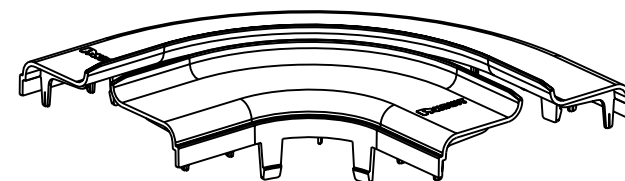
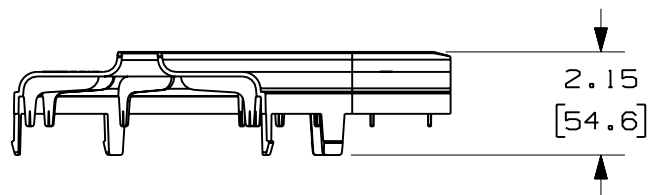
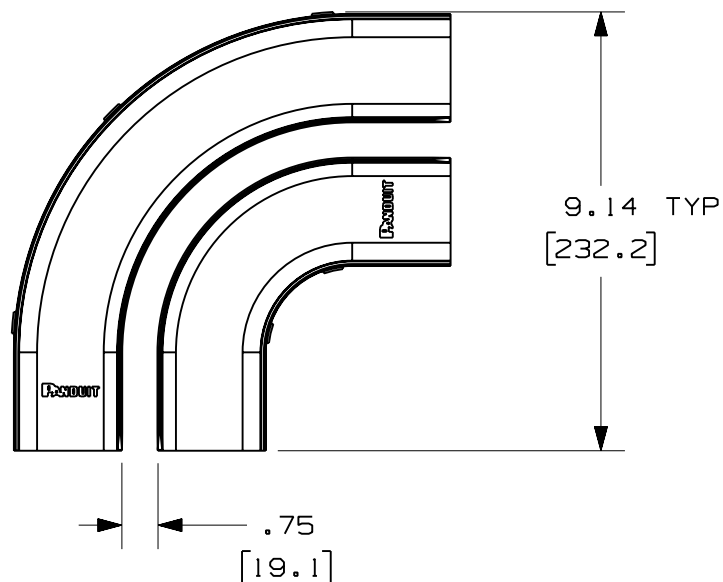


PANDUIT PART NUMBER	WEIGHT
FRRASC4	0.32 LB/EACH (145g/EACH)



NOTES:

1. SEE CURRENT CATALOG FOR ADDITIONAL PART SUFFIXES TO INDICATE COLOR AND/OR PACKAGE QUANTITY.
2. THE FIBERRUNNER 4x4 HORIZONTAL RIGHT ANGLE SPLIT COVER REQUIRES NO TOOLS FOR INSTALLATION AND/OR REMOVAL. THE SPLIT COVER CREATES A 3/4" (19.1) RADIUS OPENING TO ALLOW FOR NEW CABLES TO BE ADDED WITHOUT THE NEED FOR REMOVING THE COVERS.
3. DIMENSIONS IN PARENTHESES ARE IN METRIC.



ENG. REF.: D37847CW_DC_FRRASC4_01.prt

CAD FILENAME/LAYERS



FRRASC4.pdf

PANDUIT CORP TINLEY PARK, ILLINOIS
**FIBERRUNNER 4x4 HORIZONTAL
 RIGHT ANGLE SPLIT COVER (FRRASC4)**
 CUSTOMER DRAWING

UNLESS OTHERWISE SPECIFIED,
 DIMENSIONAL TOLERANCES ARE:

(.X) ± (.XXX) ±
 (.XX) ± .03 (.8) ANGLES ±

UNLESS OTHERWISE SPECIFIED,
 ALL DIMENSIONS ARE GIVEN IN
 INCHES, THIRD ANGLE PROJECTION.

DRAWN BY: JHNU
 DATE: 7-16-01
 CHK'D: RPA

MAT'L:

ABS

SCALE: NONE

DRAWING NO.: 37847-55

DWG SIZE: A

REV	DATE	BY	CHK	DESCRIPTION	ECN	R	CUST	SUP	GMBH
-	-----	---	---	E. REVISED PART WEIGHT	-----	--	--		
-	-----	---	---	D. REVISED GENERAL NOTES C. REVISED CAD FILENAME	-----	--	--		
1	7-12-06	DTP	RN	B. REVISED DRAWING TITLE A. REVISED AND REDRAWN	37847-55	RN	RN		