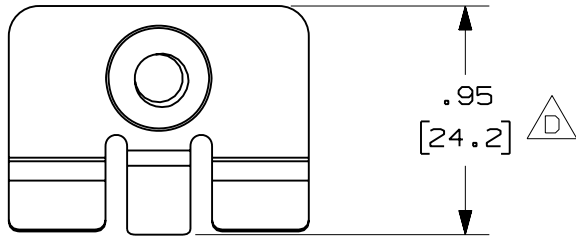


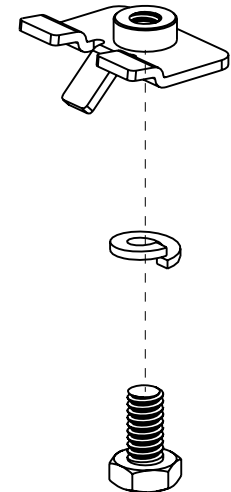
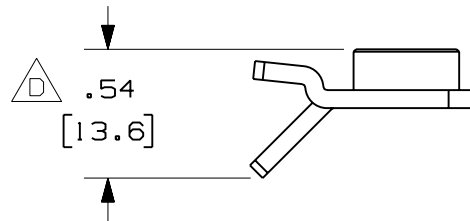
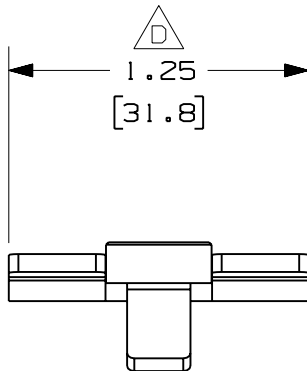
THIS COPY IS PROVIDED ON A RESTRICTED BASIS AND IS NOT TO BE USED IN ANY WAY DETRIMENTAL TO THE INTERESTS OF PANDUIT CORP.

PANDUIT PART NUMBER	WEIGHT
FROMC-X	0.04 LB/EACH (18g/EACH)



NOTES:

1. SEE CURRENT CATALOG FOR ADDITIONAL PART SUFFIXES TO INDICATE PACKAGE QUANTITY.
2. THE FIBERRUNNER QUICK MOUNT CLIP KIT INCLUDES:
TEN (10) CLIP ASSEMBLIES,
TEN (10) 1/4-20x1/2 HEX HEAD CAP SCREWS,
TEN (10) 1/4 HELICAL SPRING LOCKWASHERS.
3. FINISH COLOR BLACK (EXCEPT HARDWARE)
4. DIMENSIONS IN PARENTHESES ARE IN METRIC.



ENG. REF.: D38241BL_DC_FROMC-X_01.prt

CAD FILENAME/LAYERS



FROMC-X.pdf

PANDUIT CORP TINLEY PARK, ILLINOIS
**FIBERRUNNER QUICK MOUNT
 CLIPS (FROMC-X)**
 CUSTOMER DRAWING

-	-----	---	---	D. RELOCATED DIMENSIONS C. REVISED PART WEIGHT	-----	--	--				
2	7-12-06	DTP	RN	B. REVISED GENERAL NOTES A. REVISED CAD FILENAME	38241-11	RN	RN				
1	2-12-02	JHNU	HIW	RELEASED TO PRODUCTION	38241-11	HIW	HIW				
R	12-5-01	JHNU	HIW	DRAWING RELEASED							
REV	DATE	BY	CHK	DESCRIPTION	ECN	R	CUST	SUP	GMBH		

UNLESS OTHERWISE SPECIFIED, DIMENSIONAL TOLERANCES ARE: (.X) ± (.XXX) ± (.XX) ± .03 (.8) ANGLES ±		UNLESS OTHERWISE SPECIFIED, ALL DIMENSIONS ARE GIVEN IN INCHES, THIRD ANGLE PROJECTION.	
DRAWN BY JHNU	MAT'L: STEEL	SCALE NONE	DWG A
DATE 12-5-01		DRAWING NO. 38241-11	SIZE A
CHK'D HIW			