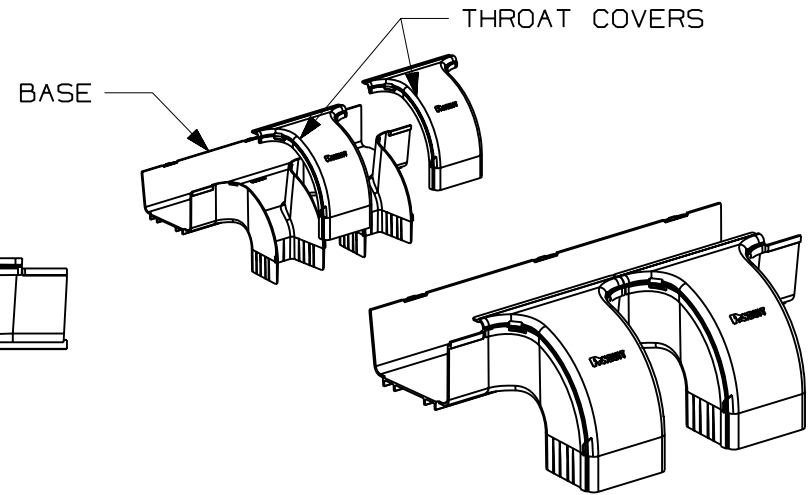


PANDUIT PART NUMBER	WEIGHT
FRDDS6X4	3.25 LB/EACH (1474g/EACH)



NOTES:

- SEE CURRENT CATALOG FOR ADDITIONAL PART SUFFIXES TO INDICATE COLOR AND/OR PACKAGE QUANTITY.
- THE FIBERRUNNER 6x4 DUAL DOWNSPOUT WITH 4x4 EXITS IS DESIGNED WITH A MINIMUM 2" (50.8) BEND RADIUS TO PROTECT FIBER OPTIC CABLES.
- THE FIBERRUNNER 6x4 DUAL DOWNSPOUT WITH 4x4 EXITS INCLUDES:
ONE (1) DUAL DOWNSPOUT BASE,
TWO (2) THROAT COVERS.
- DIMENSIONS IN PARENTHESES ARE IN METRIC.



ENG. REF.: D38394BH_DC_FRDDS6X4_01.prt

CAD FILENAME/LAYERS: FRDDS6X4.pdf

PANDUIT CORP TINLEY PARK, ILLINOIS
FIBERRUNNER 6x4 DUAL DOWNSPOUT
WITH 4x4 EXITS (FRDDS6X4)
 CUSTOMER DRAWING

UNLESS OTHERWISE SPECIFIED,
 DIMENSIONAL TOLERANCES ARE:
 (.X) ± (.XXX) ±
 (.XX) ± .03 (.8) ANGLES ±

UNLESS OTHERWISE SPECIFIED,
 ALL DIMENSIONS ARE GIVEN IN
 INCHES, THIRD ANGLE PROJECTION.

DRAWN BY: MSO
 DATE: 12-4-02
 CHK'D: DJWA

MAT'L: ABS

SCALE: NONE
 DRAWING NO.: 38394-05
 DWG SIZE: A

REV	DATE	BY	CHK	DESCRIPTION	ECN	R	CUST	SUP	GMBH
-	-----	---	---	E. REVISED PART WEIGHT	-----	--	--		
-	-----	---	---	D. REVISED GENERAL NOTES C. REVISED CAD FILENAME	-----	--	--		
1	7-6-06	DTP	RN	B. REVISED DRAWING TITLE A. REVISED AND REDRAWN	38394-05	RN	RN		