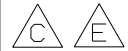


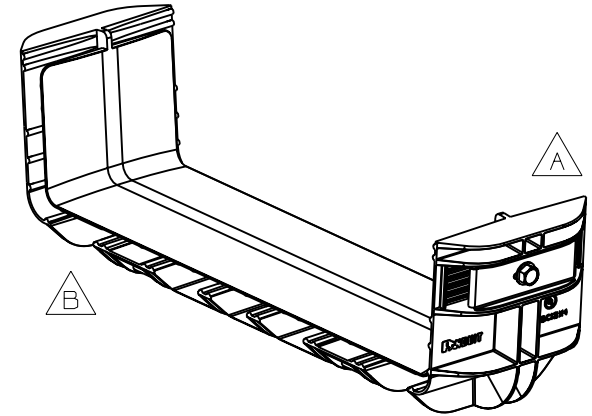
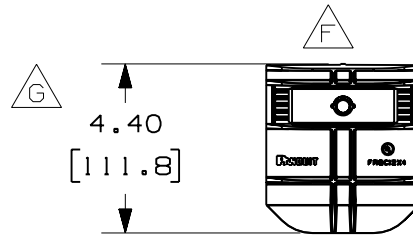
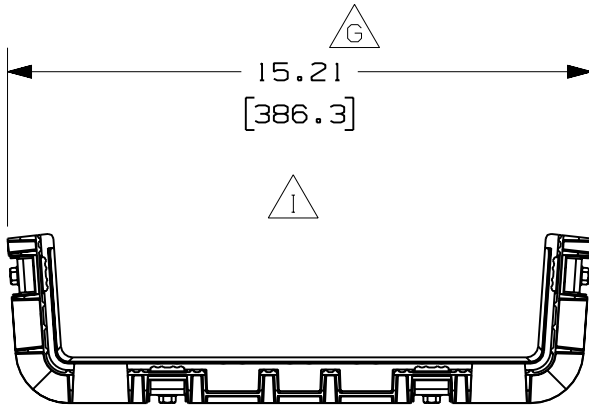
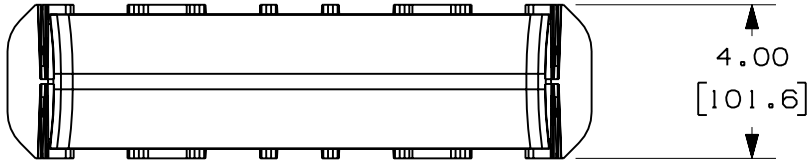
THIS COPY IS PROVIDED ON A RESTRICTED BASIS AND IS NOT TO BE USED IN ANY WAY DETRIMENTAL TO THE INTERESTS OF PANDUIT CORP.

PANDUIT PART NUMBER	WEIGHT
FRBC12X4	1.18 LB/EACH (532g/EACH)



NOTES:

- SEE CURRENT CATALOG FOR ADDITIONAL PART SUFFIXES TO INDICATE COLOR AND/OR PACKAGE QUANTITY.
- DIMENSIONS IN PARENTHESES ARE IN METRIC.



ENG. REF.: D37617DT_DC_FRBC12X4_03.prt

CAD FILENAME/LAYERS

FRBC12X4.pdf

PANDUIT CORP TINLEY PARK, ILLINOIS
FIBERRUNNER 12x4 QUIKLOCK
COUPLER (FRBC12X4)
 CUSTOMER DRAWING

UNLESS OTHERWISE SPECIFIED,
 DIMENSIONAL TOLERANCES ARE:

(.X) ± (XXX) ±
 (.XX) ± .03 (.8) ANGLES ±

UNLESS OTHERWISE SPECIFIED,
 ALL DIMENSIONS ARE GIVEN IN
 INCHES, THIRD ANGLE PROJECTION.

DRAWN BY: JHNU
 DATE: 1-3-01
 CHK'D: DJWA

MAT'L: ABS AND STEEL

SCALE: NONE
 DRAWING NO.: 37617-78
 DWG SIZE: A

REV	DATE	BY	CHK	DESCRIPTION	ECN	R	CUST	SUP	GMBH
-	-----	---	--	I. REMOVED DIMENSION H. REVISED MATERIAL	-----	--	--		
-	-----	---	--	G. RELOCATED DIMENSIONS F. ADDED RIGHT SIDE VIEW	-----	--	--		
3	7-10-06	DTP	RN	E. REVISED PART WEIGHT D. REVISED CAD FILENAME	37617-78	RN	RN		
2	1-9-04	JHNU	DJWA	C. REVISED PART WEIGHT B. REVISED PART GEOMETRY	37617-78	RN	RN		
1	1-30-02	JHNU	DJWA	A. REVISED PART GEOMETRY	37617-78	HIW	HIW		
R	1-3-01	JHNU	DJWA	RELEASED TO PRODUCTION	37617-78	HIW	HIW		