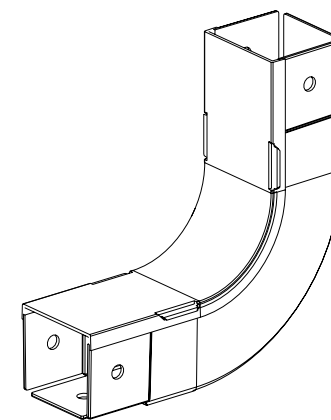
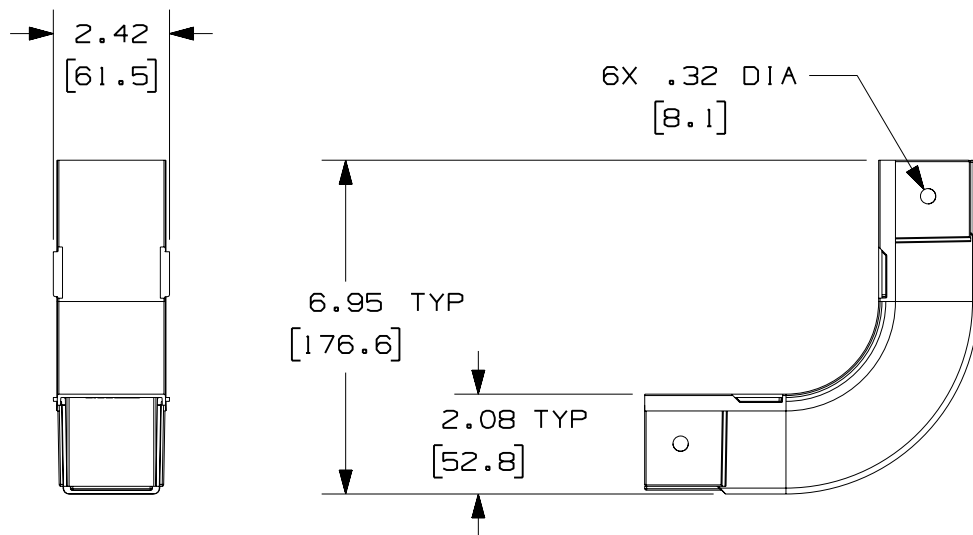


PANDUIT PART NUMBER	WEIGHT
FIVRA2X2	0.30 LB/EACH (135g/EACH)



NOTES:

- SEE CURRENT CATALOG FOR ADDITIONAL PART SUFFIXES TO INDICATE COLOR AND/OR PACKAGE QUANTITY.
- THE FIBER-DUCT 2x2 AND FIBERRUNNER 2x2 INSIDE VERTICAL RIGHT ANGLE FITTING IS DESIGNED WITH A MINIMUM 2" (50.8) BEND RADIUS TO PROTECT FIBER OPTIC CABLES.
- DIMENSIONS IN PARENTHESES ARE IN METRIC.



ENG. REF.: D35245BW_DC_FIVRA2X2_03.prt

CAD FILENAME/LAYERS: FIVRA2X2.pdf

REV	DATE	BY	CHK	DESCRIPTION	ECN	R	CUST	SUP	GMBH
-	-----	---	---	I. REVISED GENERAL NOTES. H. REVISED PART WEIGHT.	-----	--	--		
-	-----	---	---	G. REVISED MATERIAL. F. REVISED CAD FILENAME.	-----	--	--		
3	12-14-06	MSO	RN	E. REVISED DRAWING TITLE. D. REVISED AND REDRAWN.	35245-23	RN	RN		

PANDUIT CORP		TINLEY PARK, ILLINOIS	
FIBER-DUCT 2x2 AND FIBERRUNNER 2x2 INSIDE VERTICAL RIGHT ANGLE FITTING (FIVRA2X2)			
CUSTOMER DRAWING			
UNLESS OTHERWISE SPECIFIED, DIMENSIONAL TOLERANCES ARE: (.X) ± (.XX) ± .03 (.8) (.XXX) ± ANGLES ±		UNLESS OTHERWISE SPECIFIED, ALL DIMENSIONS ARE GIVEN IN INCHES, THIRD ANGLE PROJECTION.	
DRAWN BY PM	MAT'L: ABS	SCALE NONE	
DATE 1-21-97	CHK'D CEF	DRAWING NO. 35245-23	DWG A SIZE