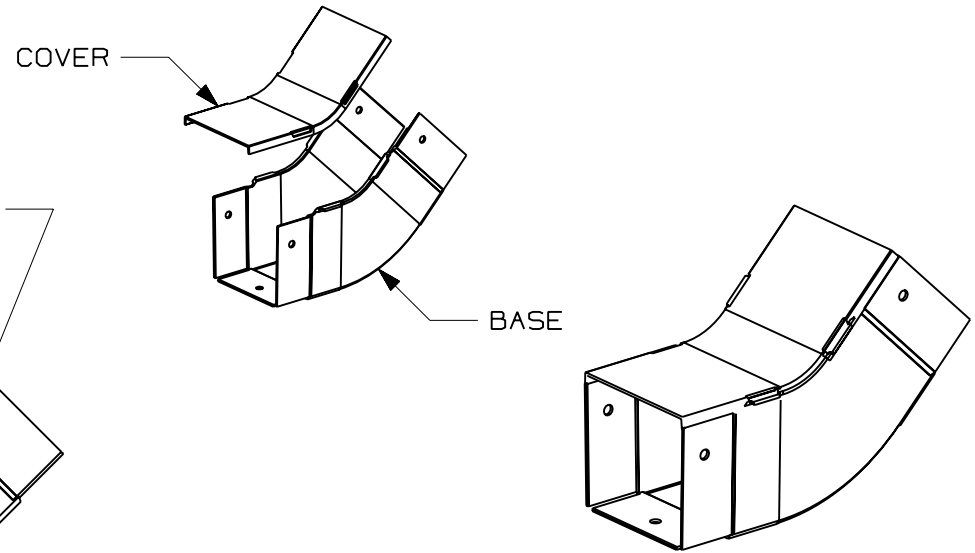


PANDUIT PART NUMBER	WEIGHT
FIV454X4	0.67 LB/EACH (305g/EACH)



**NOTES:**

1. SEE CURRENT CATALOG FOR ADDITIONAL PART SUFFIXES TO INDICATE COLOR AND/OR PACKAGE QUANTITY.
2. THE FIBER-DUCT 4x4 INSIDE VERTICAL 45° ANGLE FITTING IS DESIGNED WITH A MINIMUM 2" (50.8) BEND RADIUS TO PROTECT FIBER OPTIC CABLES.
3. DIMENSIONS IN PARENTHESES ARE IN METRIC.



ENG. REF.: D35245BG\_DC\_FIV454X4\_03.prt

CAD FILENAME/LAYERS



FIV454X4.pdf

**PANDUIT** CORP TINLEY PARK, ILLINOIS  
**FIBER-DUCT 4x4 INSIDE VERTICAL 45° ANGLE FITTING (FIV454X4)**  
 CUSTOMER DRAWING

UNLESS OTHERWISE SPECIFIED, DIMENSIONAL TOLERANCES ARE:

(.X) ± (.XXX) ±  
 (.XX) ± .03 (.8) ANGLES ±

UNLESS OTHERWISE SPECIFIED, ALL DIMENSIONS ARE GIVEN IN INCHES, THIRD ANGLE PROJECTION.

DRAWN BY: DW  
 DATE: 1-26-96  
 CHK'D: CEF

MAT'L:

ABS

SCALE: NONE

DRAWING NO.: 35245-07

DWG SIZE: A

REV	DATE	BY	CHK	DESCRIPTION	ECN	R	CUST	SUP	GMBH
-	-----	---	---	I. REVISED PART WEIGHT	-----	--	--		
-	-----	---	---	H. REVISED GENERAL NOTES G. REVISED CAD FILENAME	-----	--	--		
3	6-27-06	MSO	RN	F. REVISED DRAWING TITLE E. REVISED AND REDRAWN	35245-07	RN	RN		